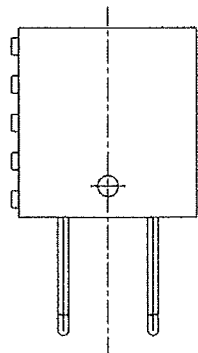
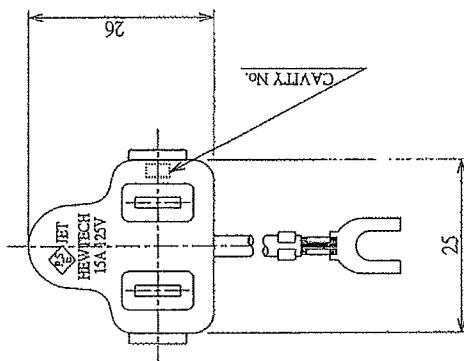
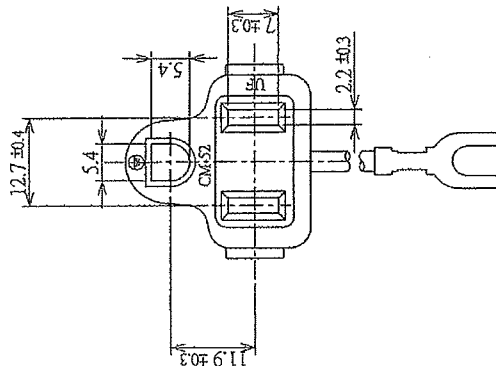
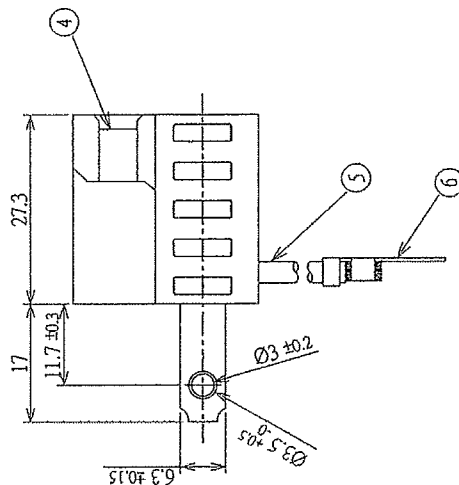
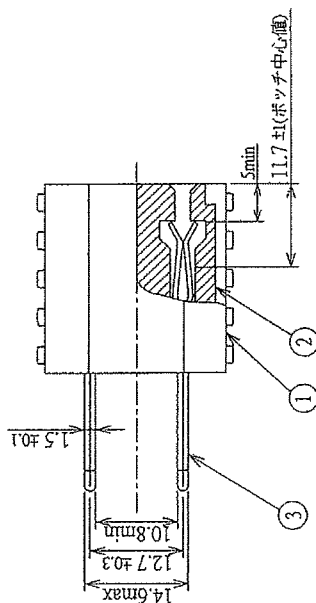


IT	NAME	MATERIAL	REMARK
1	BODY	PVC	
2	BASE	THERMOSETTING RESIN PBT	
3	CONTACT BLADE	C2680-3/4H	
4	EARTH CONTACT	C5191R-1/2H	
5	EARTH WIRE	PVC	
6	先端端子	C2680RC-1/2H	



△ X	REVISION	DATE	SIGN
△ X			
△ X			
△ X			
△ X			
LET			

TOLERANCE	ANGLE	SCALE	UNIT	NAME
DIMENSION L ≤ 63 ±0.5	DR. <i>Henry Law</i>		mm	変換プラグ (CM-52)
	CH. <i>Jacky Law</i>		Aug. 30' 12	PART NO. C-107
	APP. <i>S. Nakayama</i>		Aug. 30' 12	DRAWING NO. PCC324CA

