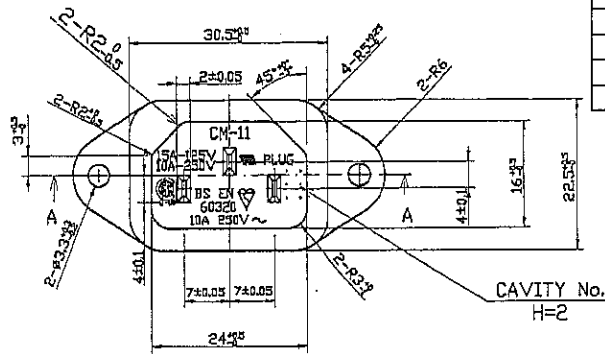
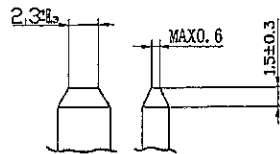
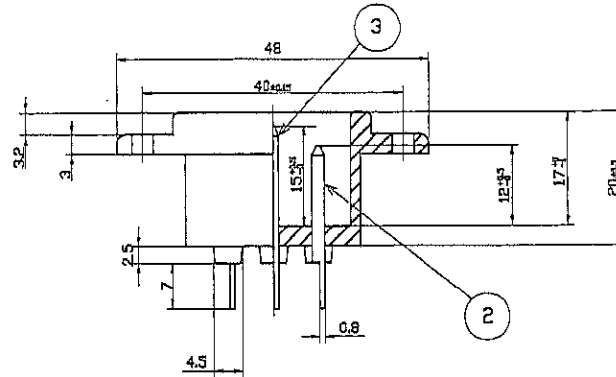
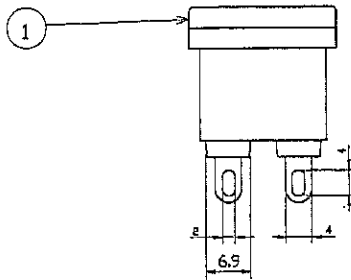


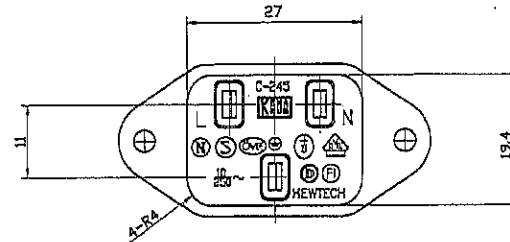
SEC. A-A



IT	NAME	MATERIAL	REMARK
1	BODY	PBT	
2	CONTACT BLADE	C2680P MBH1	A-249
3	EARTH CONTACT	C2680P MBH1	A-249-1



DETAIL OF CONTACT



APPROVED BY	
UL	QVE
CSA	SHV
BSI	VDE
NEMKO	KEBA
SEMKO	
DEMKO	
FTMCO	

REV	DESCRIPTION	DATE	SIGN
△ X			
△ X			
△ X			
△ X /			



TOLERANCE	
DIMENSION	TOL.
L < 63	± 0.5

ANGLE	SCALE	UNIT	DATE
DR. YangShanRong	1.5 : 1	MM	APR. 12' 07
CH. Jacky Law			APR. 12' 07
APP. K. Morishita			APR. 12' 07

NAME	CM-11 3P APPLIANCE INLET
PART NO.	C-245
DRAWING NO.	PCC094CA