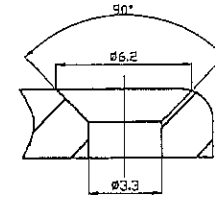
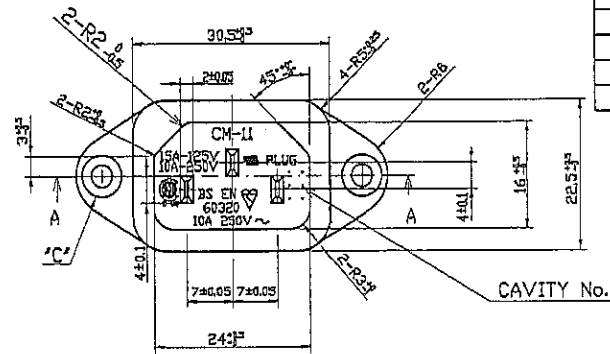
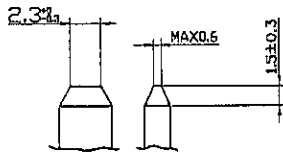
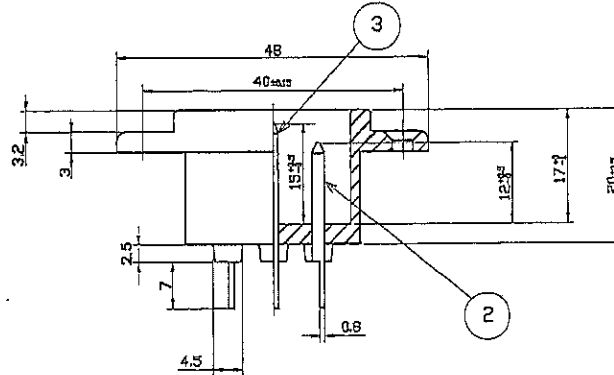
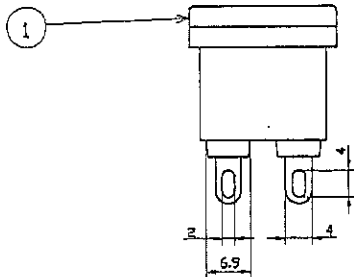


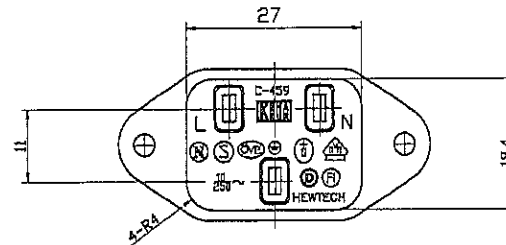
SEC. A-A



DETAIL OF "C" AREA
5/1



DETAIL OF CONTACT



IT	NAME	MATERIAL	REMARK
1	BODY	PBT	
2	CONTACT BLADE	C2680P MBNT	A-249
3	EARTH CONTACT	C2680P MBNT	A-249-1

APPROVED BY	
UL	OVE
CSA	SEV
BSI	VDE
NEMKO	KBMA
SEMKO	
DEMKO	
FIMKO	

REV	REVISION	DATE	SION
△ X			
△ X			
△ X			
△ X			



TOLERANCE		ANGLE	SCALE	UNIT	mm
DIMENSION	TOL.	DR. YangShanRong	1.5 : 1	DATE	APR. 12' 07
L < 63	± 0.1	CH. JACKY LAW		DATE	APR. 12' 07
		APP. I. Morishita		DATE	APR. 12' 07

NAME	CM-11 3P APPLIANCE INLET
PART NO.	C-459
DRAWING NO.	FCC114CA