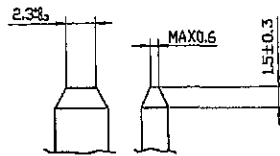
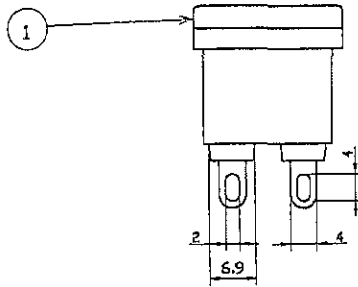
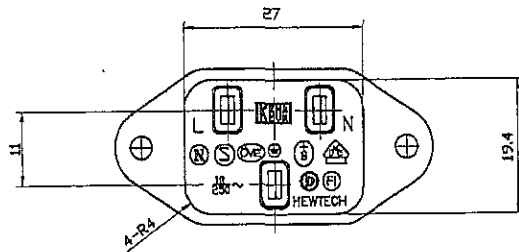
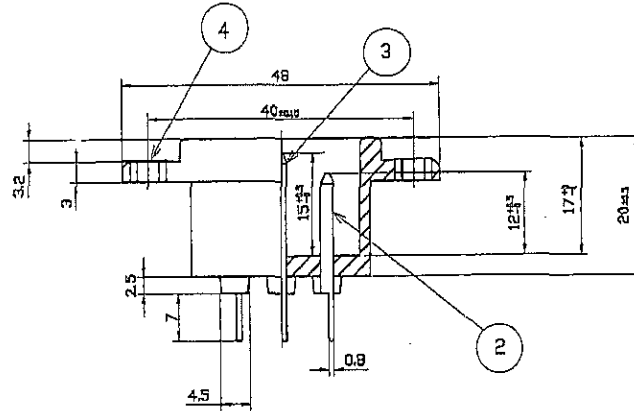
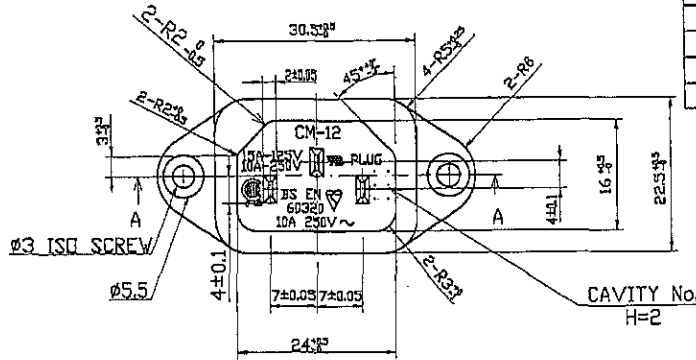


SEC. A-A



DETAIL OF CONTACT



IT	NAME	MATERIAL	REMARK
1	BODY	PBT	
2	CONTACT BLADE	C2680P MEN1	A-249
3	EARTH CONTACT	C2680P MEN1	A-249-1
4	ISO SCREW	C3604BD	

APPROVED BY	
UL	OVE
CSA	SEV
BSI	YDE
NEMKO	KEMA
SEMKO	
DEMKO	
FIMKO	

REV	REVISION	DATE	SIGN
△ X			
△ X			
△ X			
△ X			



TOLERANCE		ANGLE	SCALE	UNIT	NAME
DIMENSION	TOL.	DR. YangShanRong	1.5:1	mm	CM-12
L < 63	±0.3	DATE			3P APPLIANCE INLET
		CE. Jucky Law			PART NO. C-246
		DATE			DRAWING NO. PCC113CA
		APP. K. Morishita			
		DATE			