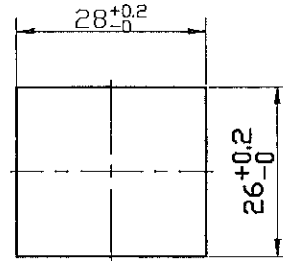
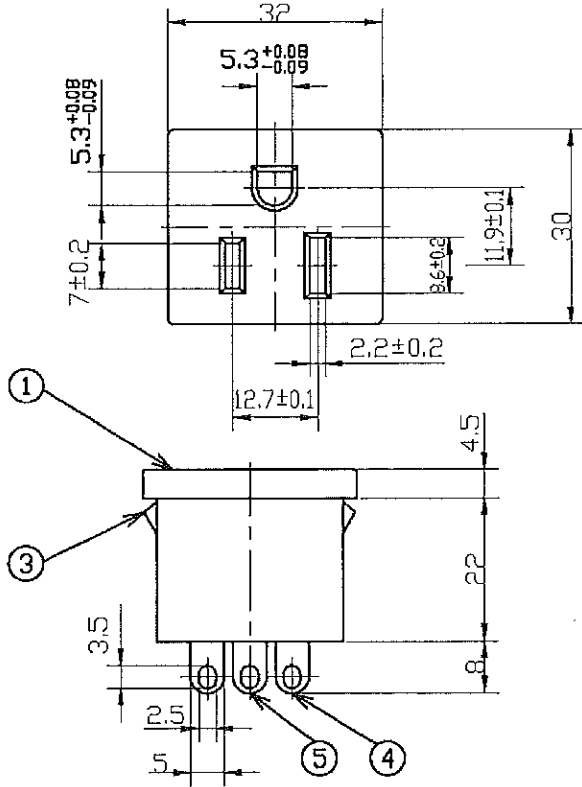
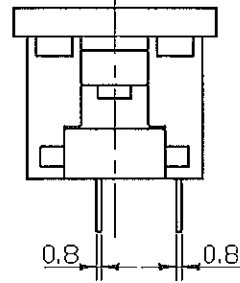


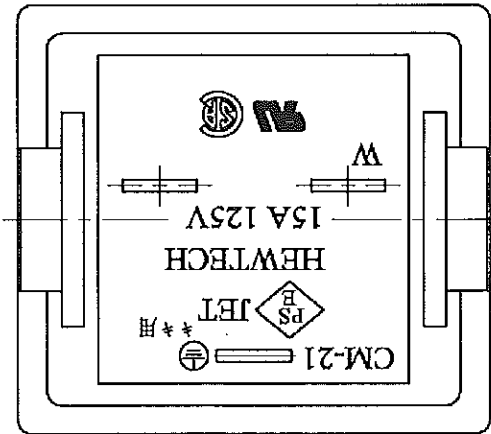
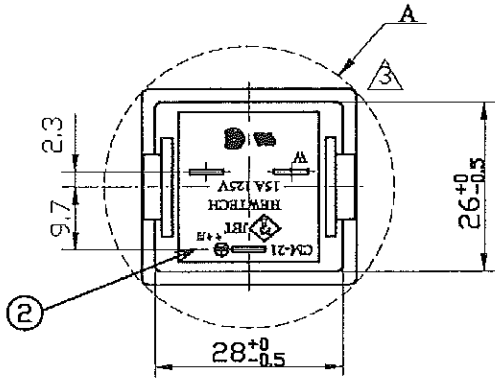
IT	NAME	MATERIAL	REMARK
1	BODY	PBT G30	C-319-1
2	COVER	PBT G30	C-319-2
3	LOCK COVER	P C	C-239
4	L,N CONTACT	C5191R-H MBNi	B-190A
5	EARTH SLEEVE	C5191R-H MBNi	B-189A



MOUNTING HOLE SIZES
PANEL THICKNESS :1.0~1.2



DETAIL OF "A" AREA 2/1



△×				DR.YangShanRong	DATE	APR.12'07
△×				CH. Jacky Law	DATE	APR.12'07
△× 1	変更印字内容	APR.12'07		APP.K.Morishita	DATE	APR.12'07
LET	REVISION	DATE	SIGN	NAME	3P-OUTLET CM-21	
 HIRAKAWA HEWTECH CORP.	TOLERANCE		ANGLE	PART NO. C-319		
	DIMENSION	TOL.	SCALE	DRAWING NO. PCC143CA		
	L ≤ 63	±0.5	UNIT	mm		