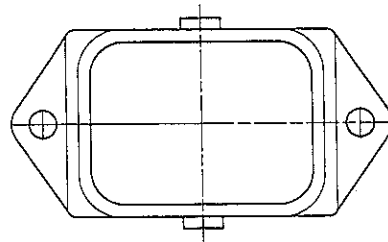
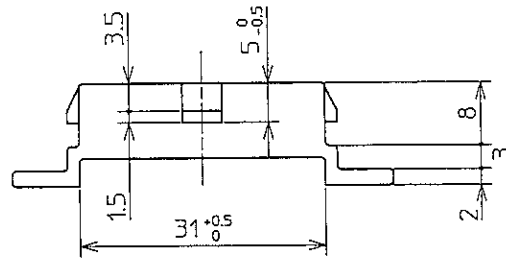
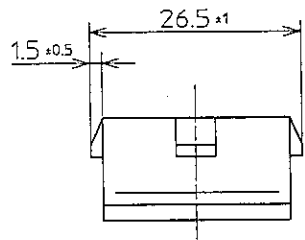


IT	NAME	MATERIAL	REMARK
	BODY	#66NYLON	



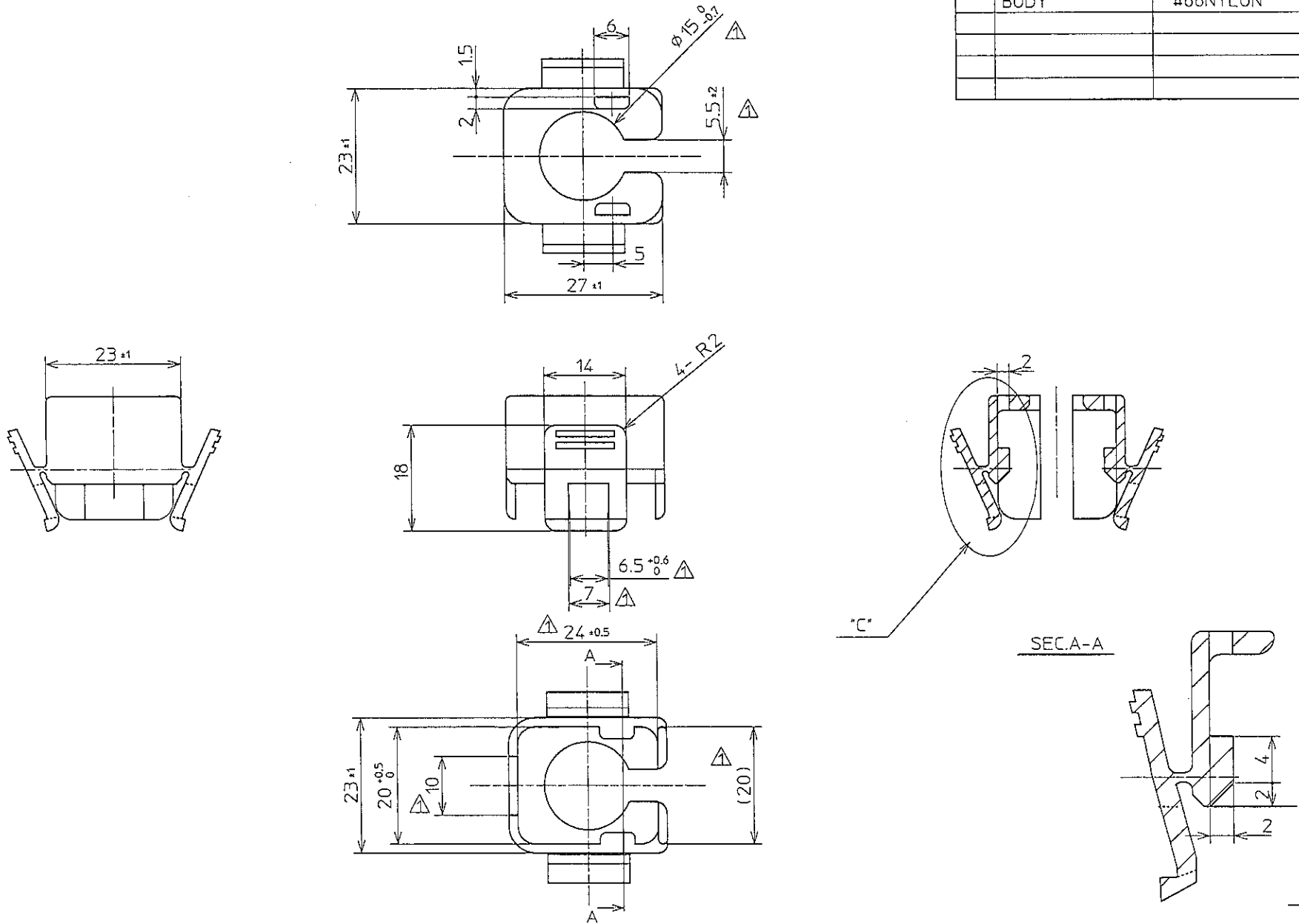
△X			
△X			
△X			
△X			
LET	REVISION	DATE	SIGN



TOLERANCE		ANGLE	SCALE	UNIT
DIMENSION	TOL.		:	m/m
L ≤ 63	±0.5	DR. T.Aizawa	DATE	May.17'02
		CH. I.IGARASHI	DATE	May.20'02
		APP. Y.MATSUNAGA	DATE	May.20'02

NAME	CM-42 INLET SIDE HOLDER
PART NO.	C-048
DRAWING NO.	PCC126CB

IT	NAME	MATERIAL	REMARK
	BODY	#66NYLON	



DETAIL "C"
3/1

△X				 HIRAKAWA HEWTECH CORP.	TOLERANCE		ANGLE	SCALE	UNIT	NAME CM-42A CONNECTOR SIDE HOLDER PART NO. C-049 DRAWING NO. PCC127CB
△X					DIMENSION	TOL.	DR. T.Aizawa	DATE May.17'02	mm	
△X					L ≤ 63	±0.5	CH. I.IGARASHI	DATE May.20'02		
△X 7	変更・追加	Ocf.28'02					APP. Y.MATSUNAGA	DATE May.20'02		
LET	REVISION	DATE	SIGN							