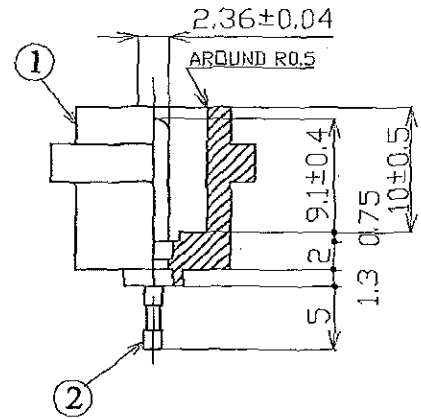
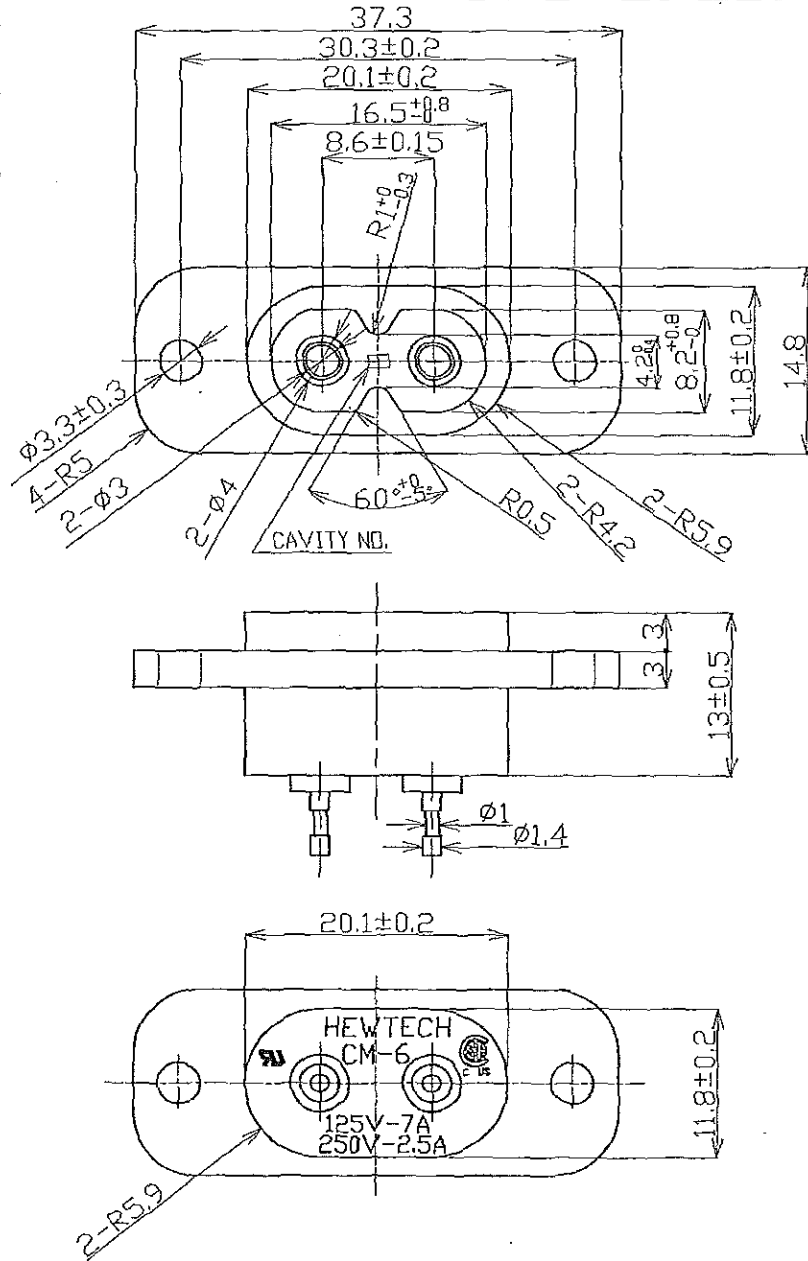

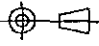


IT	NAME	MATERIAL	REMARK
1	BODY	PBT-G30	
2	CONTACT PIN	C3604BD-1/2H	MBNI,A-276



ΔX				DR.YANGSHANRONG	DATE	APR.12'07
ΔX				CH. JACKY LAW	DATE	APR.12'07
ΔX				APP.K,MORISHITA	DATE	APR.12'07
LET	REVISION	DATE	SIGN			

 HIRAKAWA HEWTECH CORP.	TOLERANCE		ANGLE		NAME	CM-6
	DIMENSION	TOL.	SCALE:		PART NO.	C-234
	L ≤ 63	± 0.5	UNIT:	mm	DRAWING NO.	PCC087CA

E-049-99