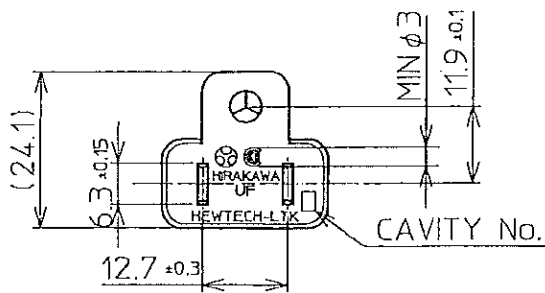
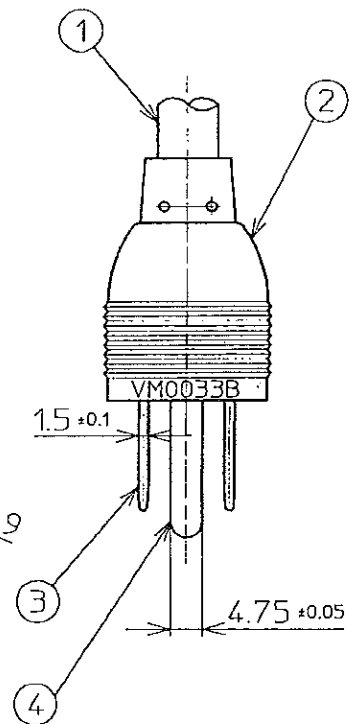
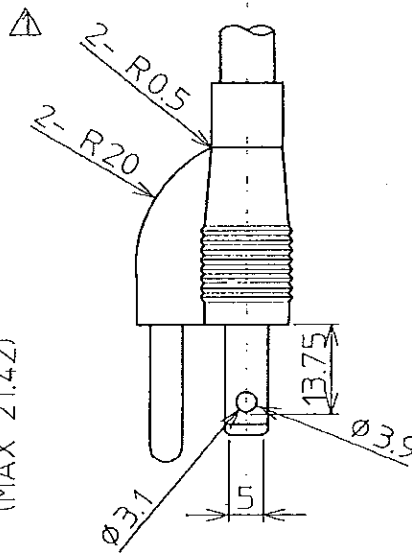
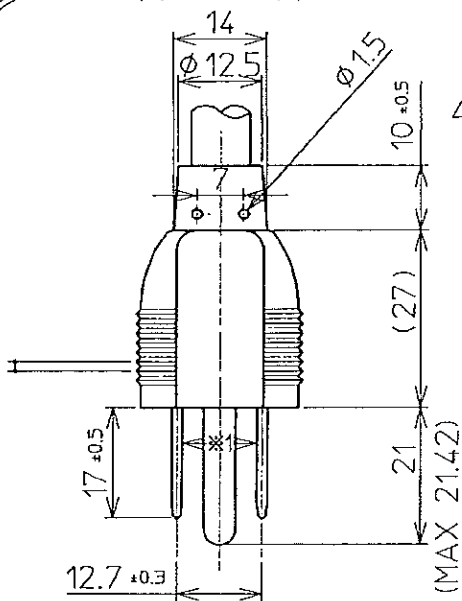
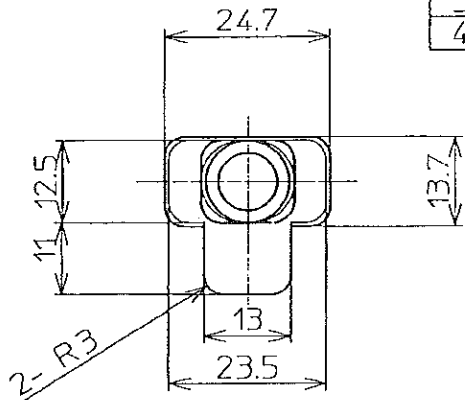


IT	NAME	MATERIAL	REMARK
1	CORD	SJT 3X16AWG	φ8.8
2	BODY	PVC(95°)	
3	CONTACT BLADE	C2680RC-1/2H MBNI	A-323
4	EARTH PIN	C2680RC-1/2H MBNI	A-245C



NOTE

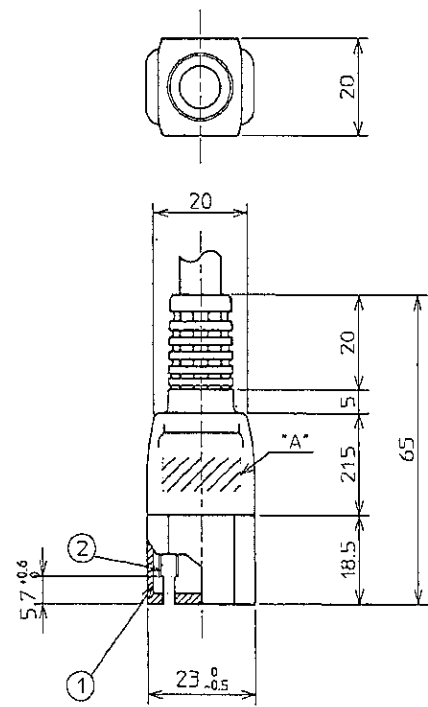
*1. Markings on the blades(inside blades)

88
⊗

△X				DR	T,Aizawa	DATE	Jan.14'98			
△X	1	変更	Aug.27'98	T.Katsu	CH	I,IGARASHI	DATE	Jan.14'98		
△X		再トレース		APP.	T,KATSU	DATE	Jan.14'98			
LET	REVISION	DATE	SIGN	NAME	3P PLUG					
 HIRAKAWA HEWTECH CORP.				TOLERANCE	ANGLE SCALE 1:1 UNIT mm			PART NO.	VM0033B-BA	
				DIMENSION				TOL.	DRAWING NO.	MC0058CB
				L ≤ 4				±0.2		
				4 < L ≤ 16				±0.3		
16 < L ≤ 63	±0.4									
63 < L	±0.5									

#A150-00

IT	NAME	MATERIAL	REMARK
1	INNER BASE	φ66NYLON	C-485A
2	CONTACT SLEEVE	C5191R-1/2H 1-0.6	B-202A
3	BODY	PVC (85°)	
4	CORD	SJT 3X16AWG	φ8.0

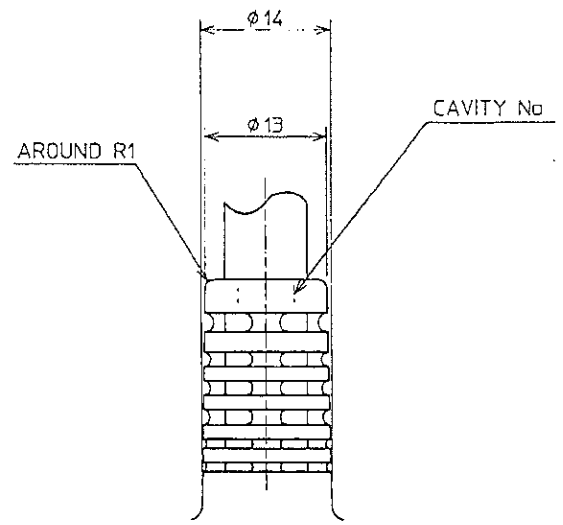
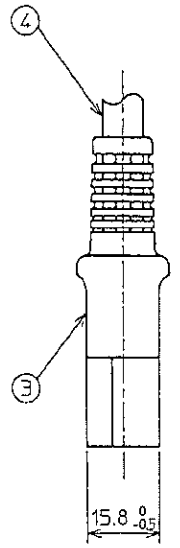


MARKING OF AREA "A"

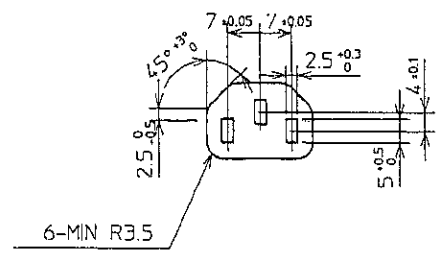
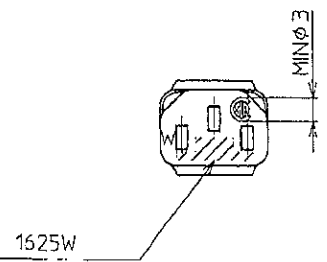
HEWTECH-LTK
13A-125V

MARKING OF THE REVERSE SIDE AREA "A"

VM0291
HIRAKAWA
UF



DETAIL OF STRAIN RELIEF
2/1



△X				 HIRAKAWA HEWTECH CORP.	TOLERANCE		ANGLE	SCALE 1:1	UNIT mm	NAME UL CSA 13A 175V 3P-CONNECTOR
△X					DIMENSION	TOL.	DR. T. Aizawa	DATE Nov. 27 '98		PART NO VM02910-80
△X							CH. I. Igawashi	DATE Nov. 27 '98		DRAWING NO. MC0111CA
△X					L4 63	±0.5	APP. T. Katsu	DATE Nov. 27 '98		
LET	REVISION	DATE	SIGN							