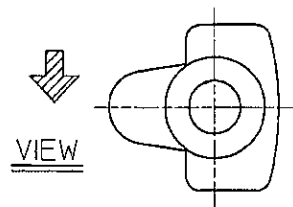
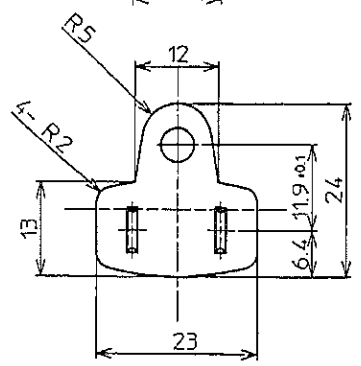
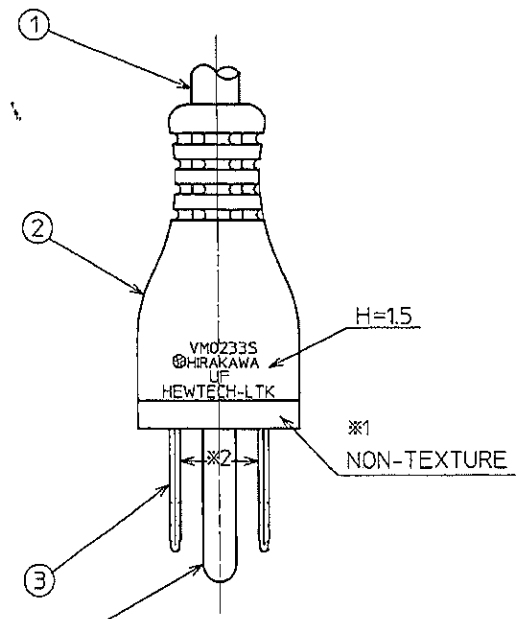
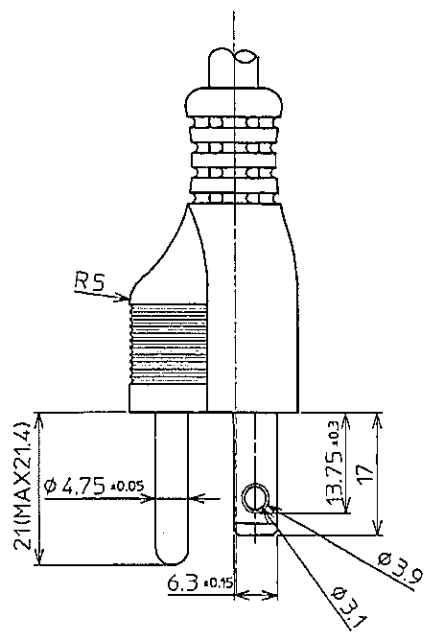
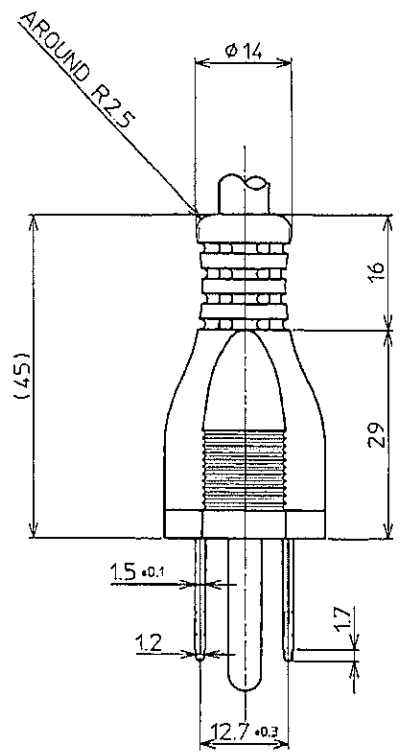
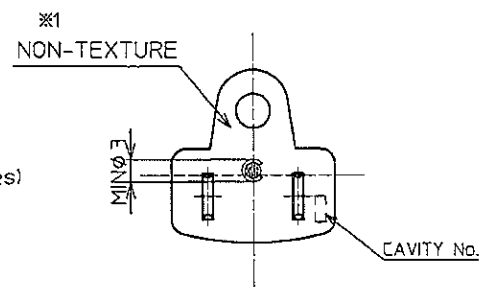


IT	NAME	MATERIAL	REMARK
1	CORD	SVT 3X18AWG SHIELDED	φ7.2
2	BODY	PVC(95°)	
3	CONTACT BLADE	C2680RC-1/2H MBNI	A-323
4	EARTH PIN	C2680RC-1/2H MBNI	A-267A



NOTE
 ※1. Texture of all main surfaces to be "B-398C(MIYAMORI)" unless otherwise specified.
 ※2. Markings on the blades (inside blades)

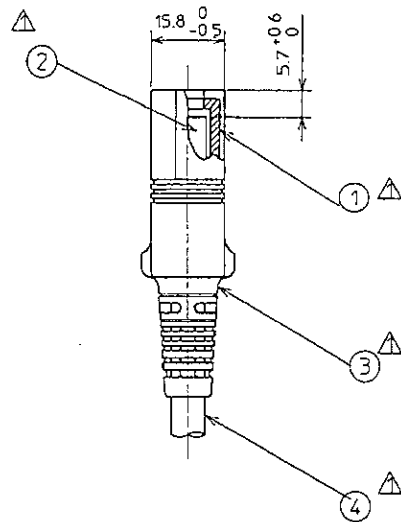
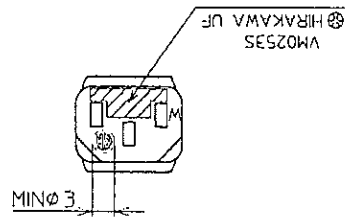
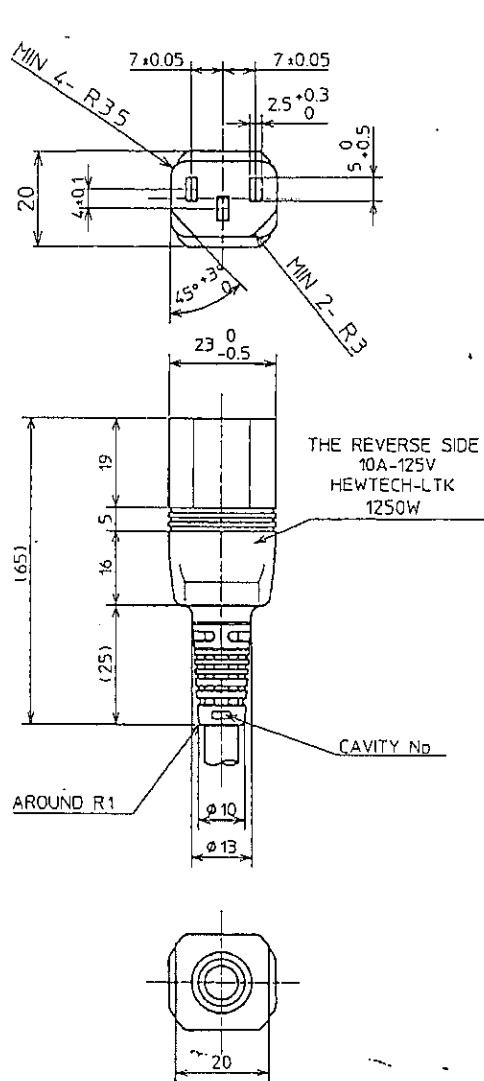


HEWTECH-LTK	△X				
	△X				
	△X				
	△X				
LET	REVISION	DATE	SIGN		



TOLERANCE		ANGLE	SCALE	UNIT
DIMENSION	TOL.	DR. T. Aizawa	15 : 1	mm
		CH. I. Igarashi		
L ≤ 63	±0.5	APP. T. Katsu		

NAME	3P-PLUG
PART NO.	VMO233S-AA
DRAWING NO.	MC0065CA



IT	NAME	MATERIAL	REMARK
1	INNER BASE	POLYACETAL	C-210
2	CONTACT SLEEVE	CS191R-H	B-169
3	BODY	PVC(85°)	
4	CORD	SVT 3X18AWG-SHIELD	#7 2

△X			
△X			
△X			
△X 4	変更	Mar 11'98	T. Katsu
LET	REVISION	DATE	SIGN



TOLERANCE		ANGLE	SCALE	UNIT
DIMENSION	TOL.	DR. T. Aizawa	1:1	mm
L ≤ 4	±0.2	DATE Jan.15'98		
4 < L ≤ 16	±0.3	CH IIGARASHI		
16 < L ≤ 63	±0.4	DATE Jan.20'98		
63 < L	±0.5	APP T.KATSU		
		DATE Jan.20'98		

NAME	3P CONNECTOR
PART NO.	VM0253S-AB
DRAWING NO	MC0068CB