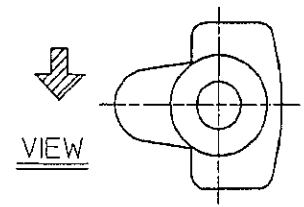
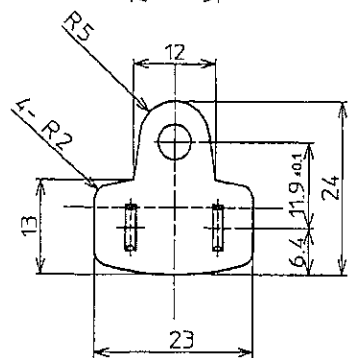
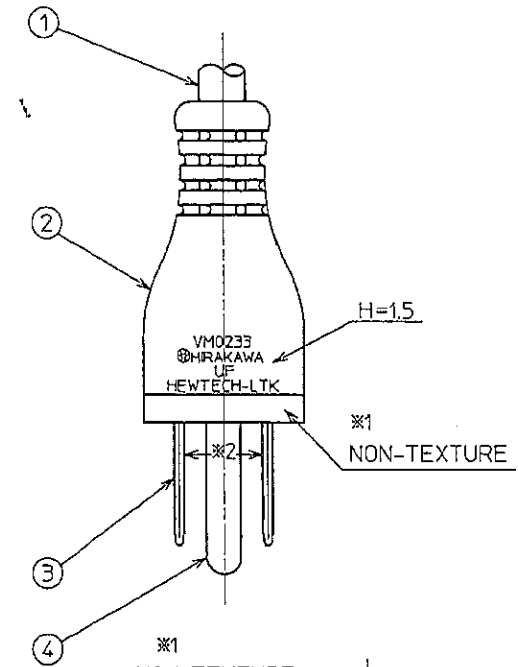
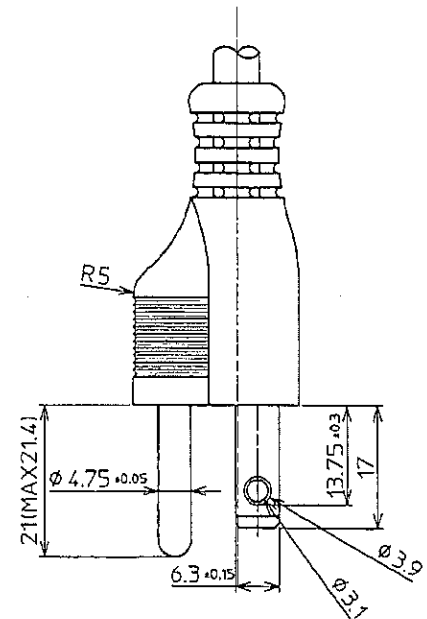
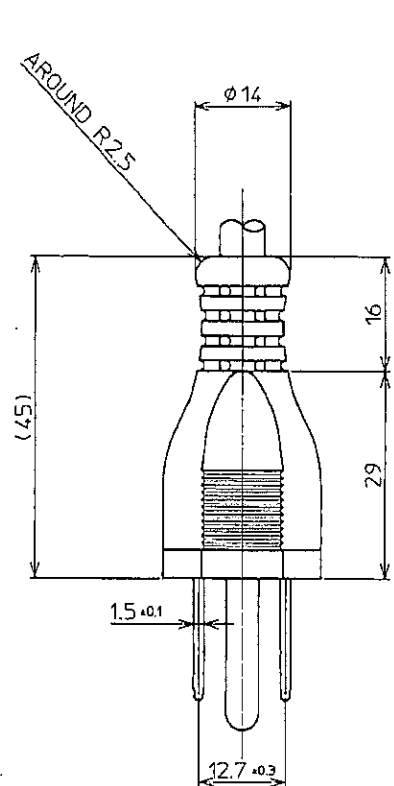
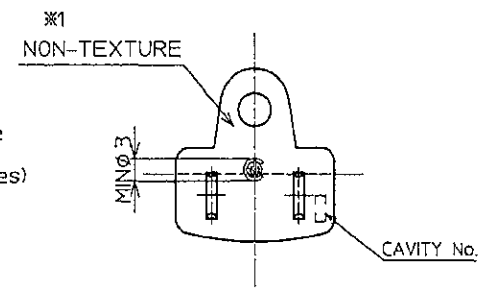


IT	NAME	MATERIAL	REMARK
1	CORD	SVT 3X18AWG	φ6.5
2	BODY	PVC(95°)	
3	CONTACT BLADE	C2680RC-1/2H MBNI	A-323
4	EARTH PIN	C2680RC-1/2H MBNI	A-245C

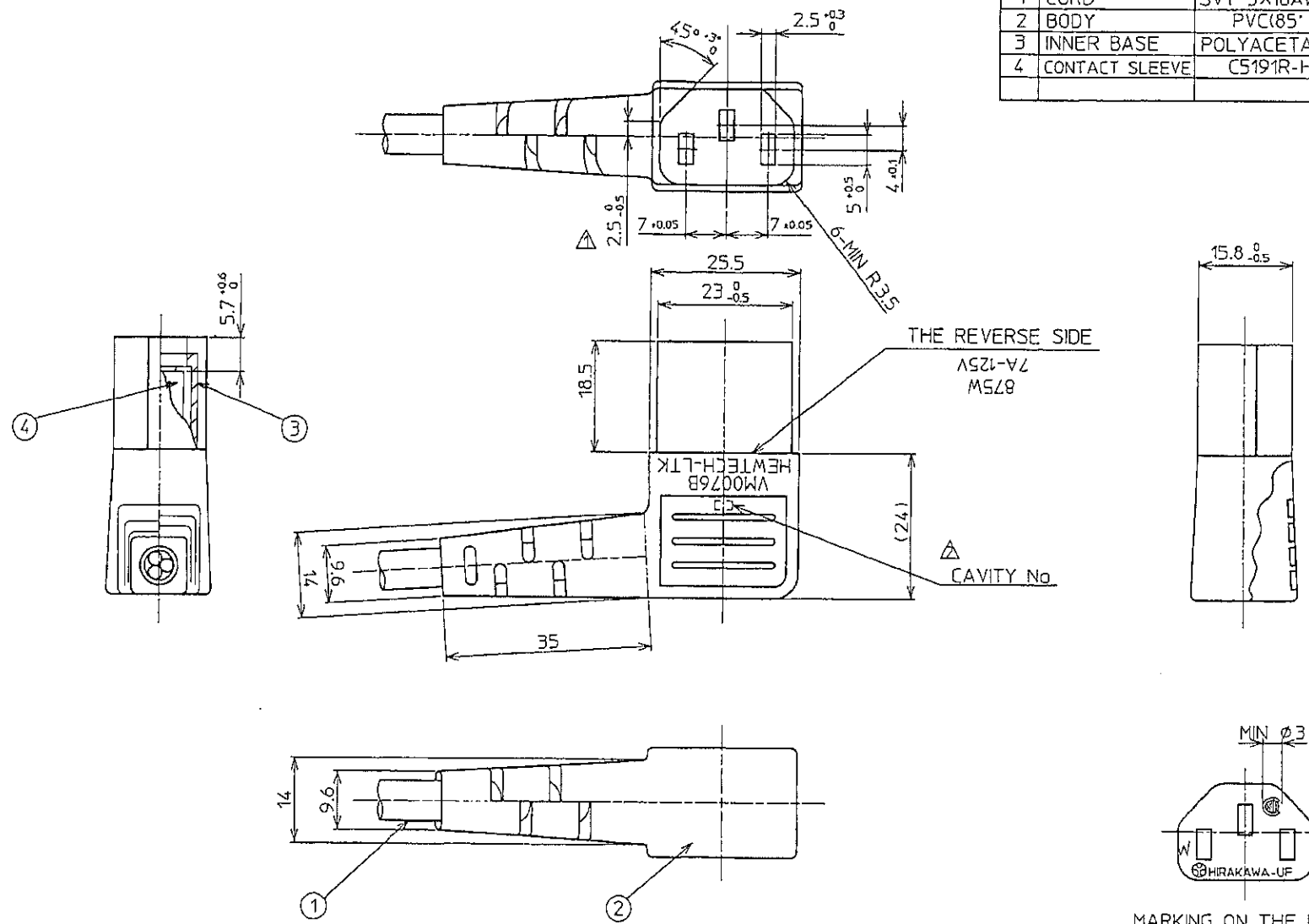


NOTE
 ※1. Texture of all main surfaces to be 'B-39BC(MIYAMORI) unless otherwise specified.
 ※2. Markings on the blades(inside blades)



HEWTECH-LTK	△△△				 HIRAKAWA HEWTECH CORP.	TOLERANCE	ANGLE	SCALE 1.5 : 1	UNIT mm	NAME	3P-PLUG
	△△△					DIMENSION	TOL	DR. T. Aizawa	DATE Jan. 14 '98	PART NO.	VM02330-AA
	△△△					L ≤ 63	±0.5	CH. I. Igarashi	DATE Jan. 14. 98	DRAWING NO.	MC0064CA
	△△△	再トレース						APP. T. Katsu	DATE Jan. 14. 98		
	LET	REVISION	DATE	SIGN							

IT	NAME	MATERIAL	REMARK
1	CORD	SVT 3X18AWG	φ6.5
2	BODY	PVC(85°)	
3	INNER BASE	POLYACETAL	C-210
4	CONTACT SLEEVE	CS191R-H	B-169



△X			
△X 1	変更	Feb.22'99	T.Katsu
△X 1	変更	Sep.16'98	T.KATSU
△X	再トレース		
IFT	REVISION	DATE	SIGN



TOLERANCE		ANGLE	SCALE	UNIT
DIMENSION	TOL.	DR. T.AIZAWA	1.5:1	mm
LS 4	±0.2	CH. IIGARASHI	DATE Jan.14'98	
4<L≤16	±0.3	APP. T.KATSU	DATE Jan.14'98	
16<L≤63	±0.4			
63<L	±0.5			

NAME	3P CONNECTOR
PART NO.	VM0076B-AB
DRAWING NO.	MC0059CC