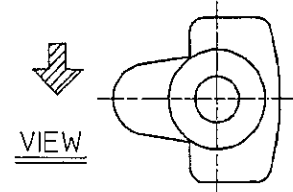
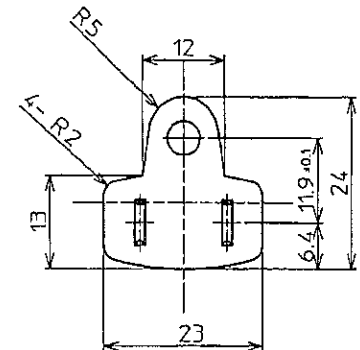
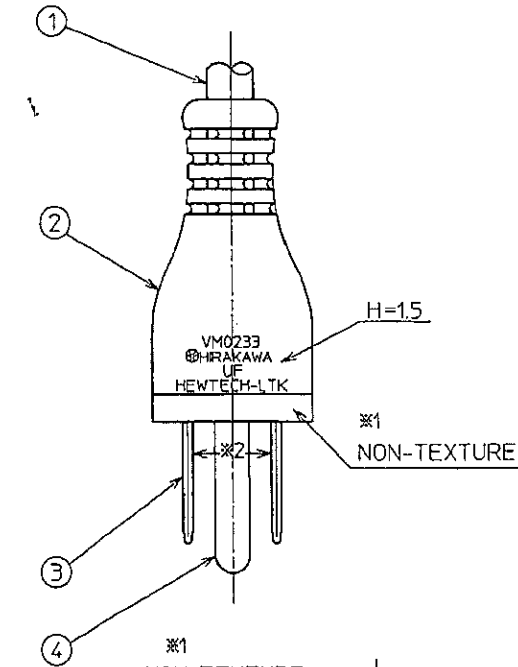
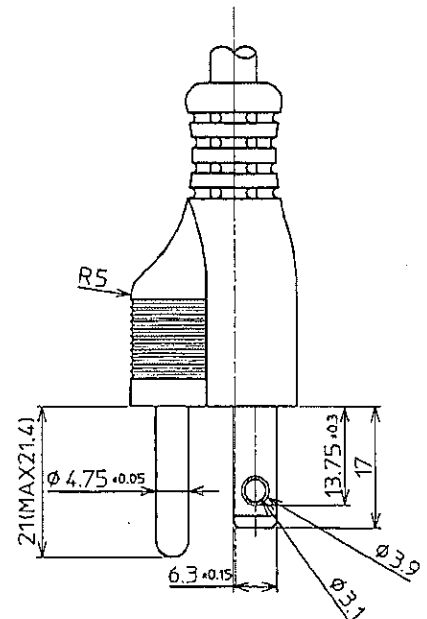
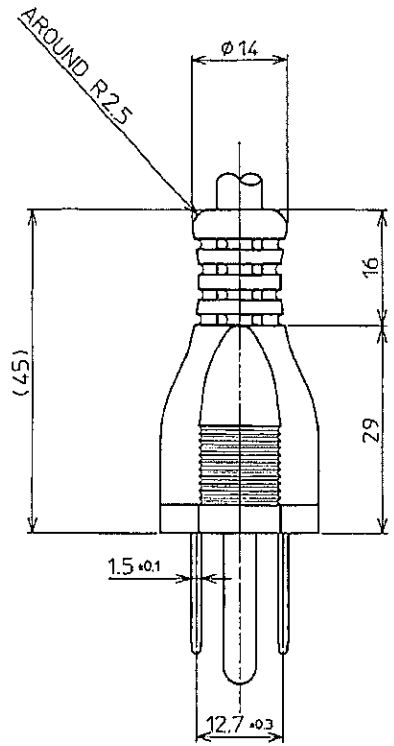
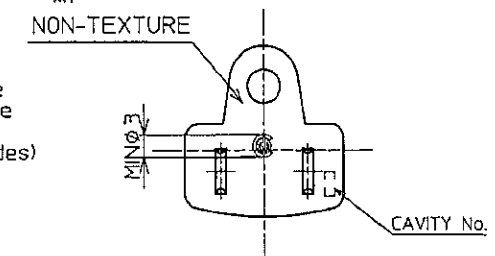


IT	NAME	MATERIAL	REMARK
1	CORD	SVT 3X18AWG	φ6.5
2	BODY	PVC(95°)	
3	CONTACT BLADE	C2680RC-1/2H MBNI	A-323
4	EARTH PIN	C2680RC-1/2H MBNI	A-245C

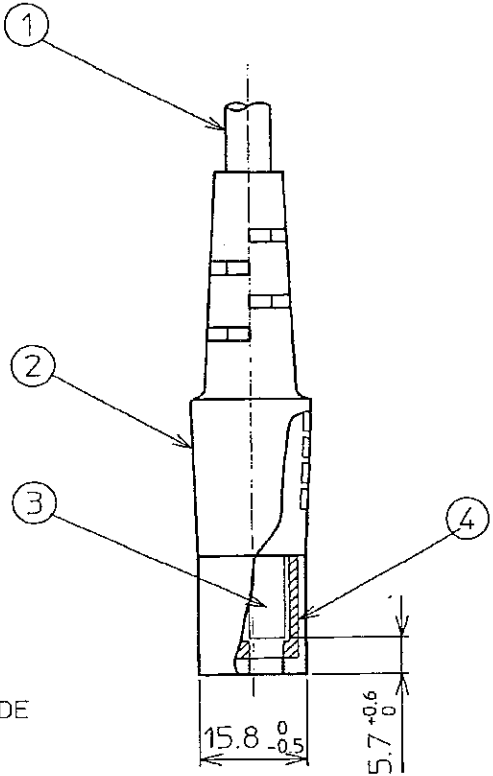
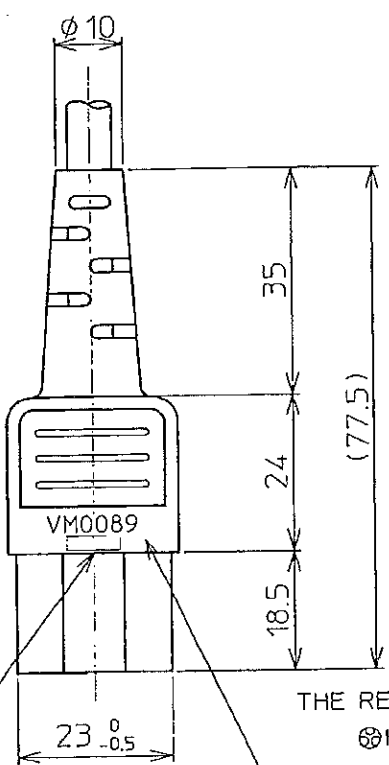
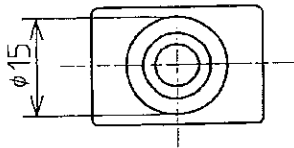


NOTE
 ※1. Texture of all main surfaces to be "B-39BC(MIYAMORI) unless otherwise specified.
 ※2. Markings on the blades(inside blades)

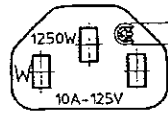
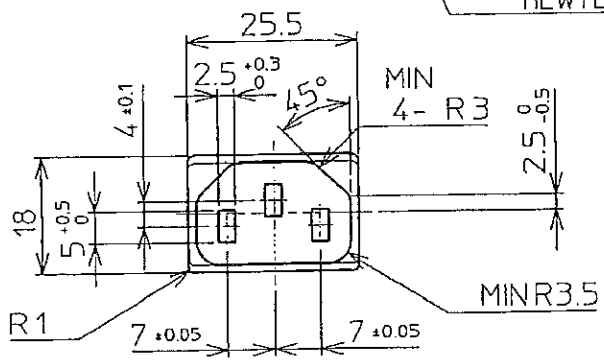


HEWTECH-LTK	△△△				 HIRAKAWA HEWTECH CORP.	TOLERANCE	ANGLE	SCALE 15:1	UNIT mm	NAME	3P-PLUG
	△△△					DIMENSION	TOL	DR. T. Aizawa	DATE Jan. 14 '98	PART NO.	VM02330-AA
	△△△					L ≤ 63	±0.5	CH. I. Igasaki	DATE Jan. 14. 98	DRAWING NO.	MC0064CA
	△△△	再トレース				APP. T. Katsu		DATE Jan. 14. 98			
LET	REVISION	DATE	SIGN								

IT	NAME	MATERIAL	REMARK
1	CORD	SVT 3X18AWG	φ6.5
2	BODY	PVC(85°)	
3	CONTACT SLEEVE	C5191R-H	B-169
4	INNER BASE	POLYACETAL	C-210



CAVITY No. THE REVERSE SIDE
HIRAKAWA
UF
HEWTECH-LTK
H=15



MARKING ON THE ENGAGEMENT FACE
H=1.2

△X				DR. T. Aizawa	DATE Jan.14'98
△X				CH. I. Igavashi	DATE Jan. 14 98.
△X	再トレース			APP. T. Katsu	DATE Jan. 14. 98
LET	REVISION	DATE	SIGN		



TOLERANCE		ANGLE
DIMENSION	TOL.	
L ≤ 4	±0.2	 SCALE 1:1 UNIT mm
4 < L ≤ 16	±0.3	
16 < L ≤ 63	±0.4	
63 < L	±0.5	

NAME	3P CONNECTOR
PART NO.	VM00890-AB
DRAWING NO	MC0060CA