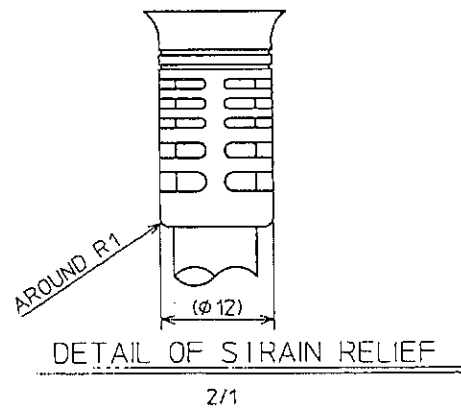
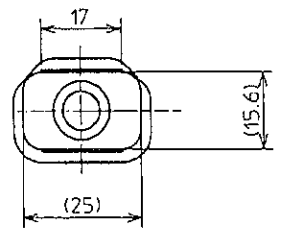
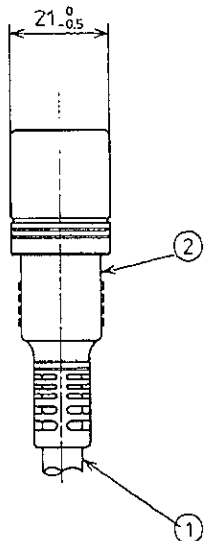
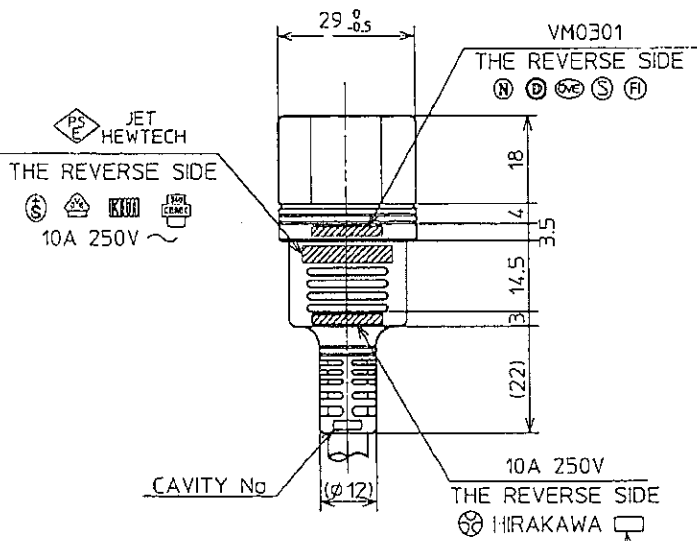
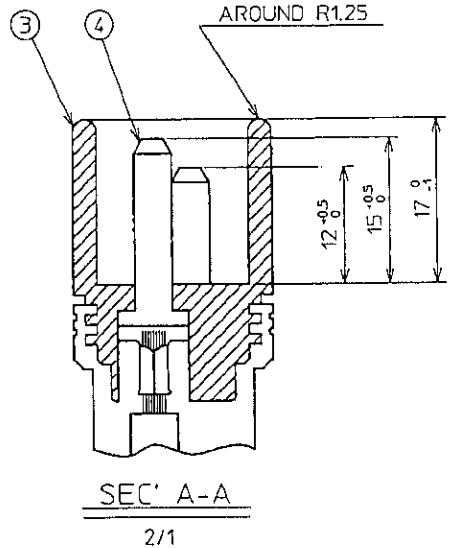
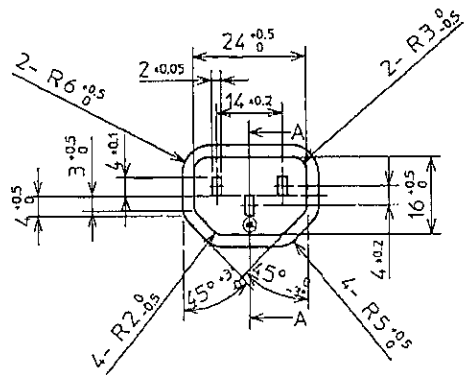


IT	NAME	MATERIAL	REMARK
1	CORD	3X1.0mm <sup>2</sup>	
2	BODY	PVC	
3	BASE	#66 NYLON	C-493
4	PIN	CZ680R-1/2H	A-346



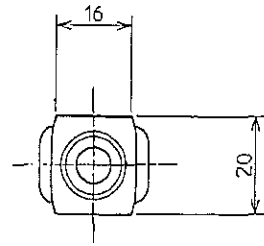
△X			
△X			
△X			
△X			
LET	REVISION	DATE	SIGN



TOLERANCE		ANGLE	SCALE	UNIT
DIMENSION	TOL.	⊕ ⊖	1 : 1	mm
L ≤ 63	±0.5	DR. K. Marishita	DATE Nov. 18 '02	
		CH. I. Igayashi	DATE Nov. 19.02	
		APP. <i>I. Igayashi</i>	DATE Nov. 19.02	

NAME	LN UL 電圧 10A 250V-SHROUD 3P-PLUG
PART NO.	VM03010-C0
DRAWING NO.	MC0176CA

IT	NAME	MATERIAL	REMARK
1	CORD	3X1.0mm <sup>2</sup>	
2	BODY	PVC	
3	INNER BASE	#66NYLON	C-485A
4	CONTACT SLEEVE	CS191R-1/2H 1=0.6	B-202A

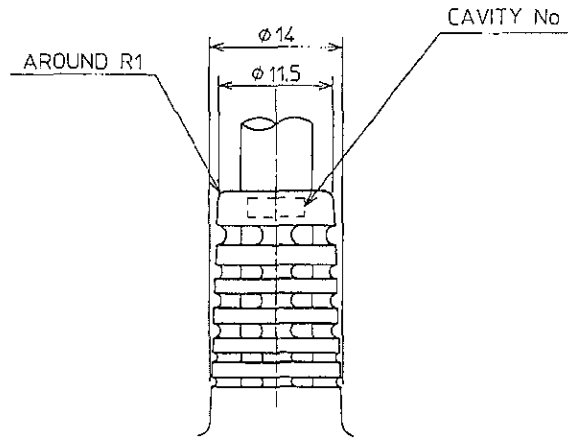
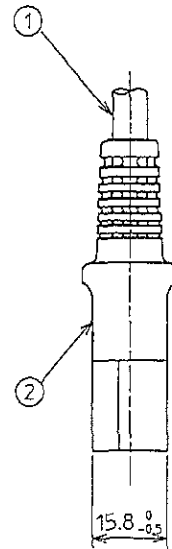
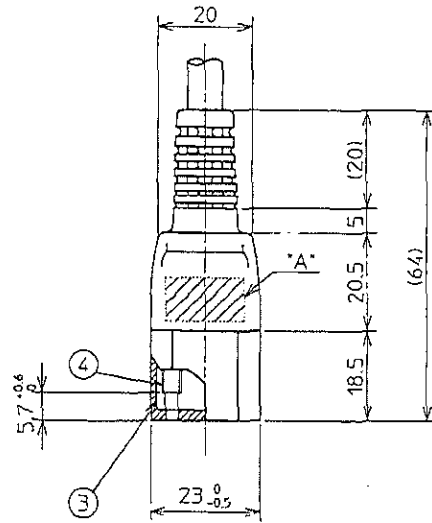


MARKING OF AREA "A"

10A 250V  
HEWTECH  
ET

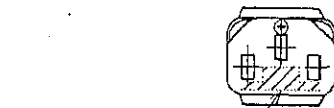
MARKING OF THE REVERSE SIDE AREA "A"

10A 250V~  
KEMA  
UL  
CEBEC  
VDE  
SEV  
FIMKO  
DEMCO  
NEMKO  
SEMKO  
HIRAKAWA



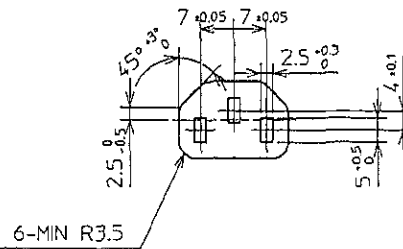
DETAIL OF STRAIN RELIEF

2/1



VM0303B  
HIRAKAWA

FACTORY ID CODE



APPROVED	SEMKO	NEMKO	DEMKO	FIMKO	SEV	電安法
	OVE	VDE	KEMA	CEBEC	UL	C-UL

△X				 HIRAKAWA HEWTECH CORP.	TOLERANCE	ANGLE	SCALE	UNIT	NAME
△X					DIMENSION	DR. K. Morishita	DATE	mm	EN UL 電安 10A 250V-3P-CONNECTOR
△X					L & 63	CH. I. Igavashi	DATE		PART NO. VM0303B-E0
LET	REVISION	DATE	SIGN		±0.5	APP. <i>I. Igavashi</i>	DATE		DRAWING NO. MC0177CA