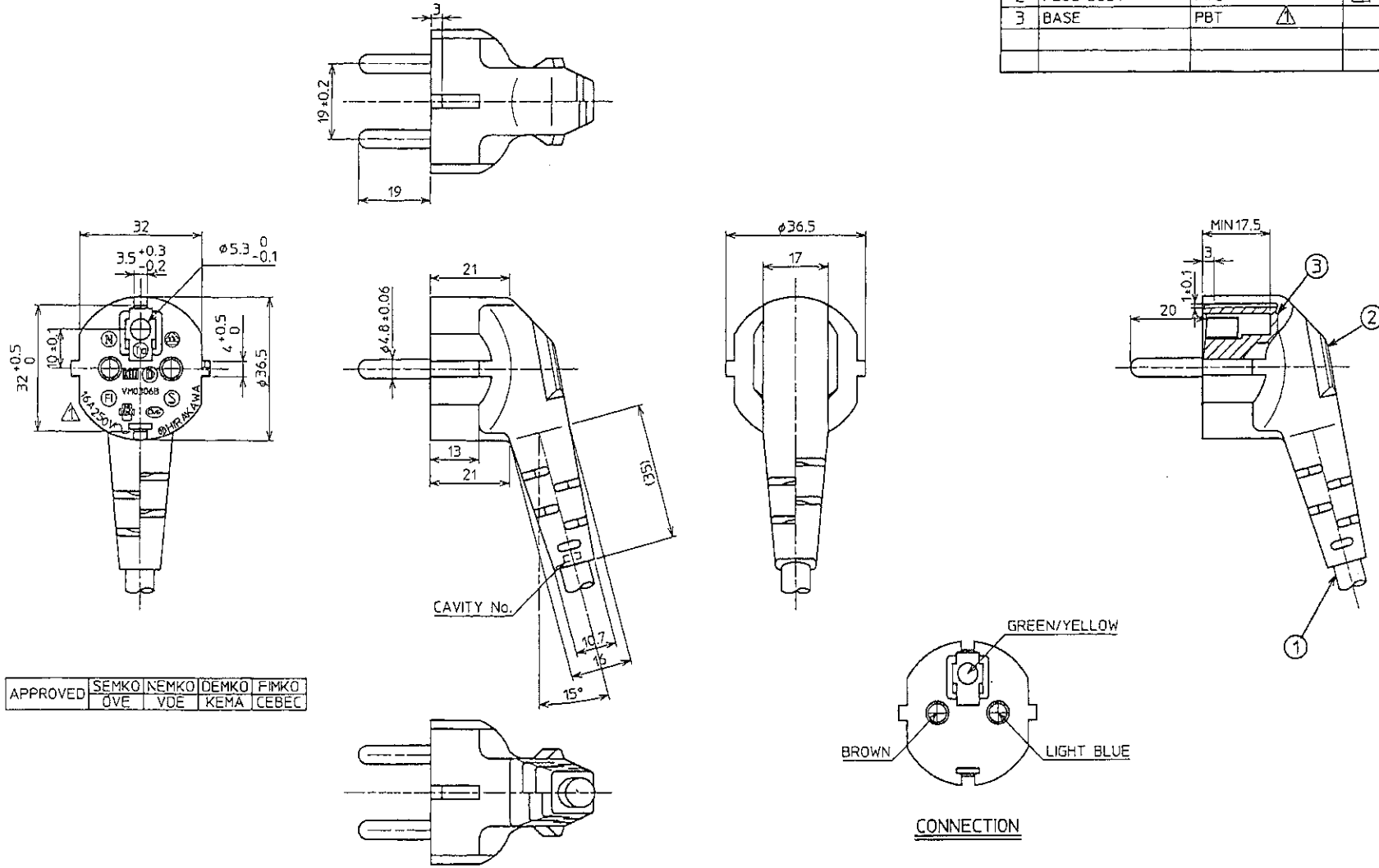


IT	NAME	MATERIAL	REMARK
1	CORD	O·C 3x1.0mm ²	
2	PLUG BODY	PVC	
3	BASE	PBT	C-511



APPROVED	SEMKO	NEMKO	DEMKO	FIMKO
	OVE	VDE	KEMA	CEBEC

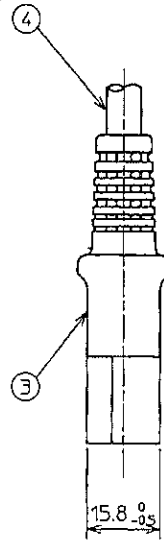
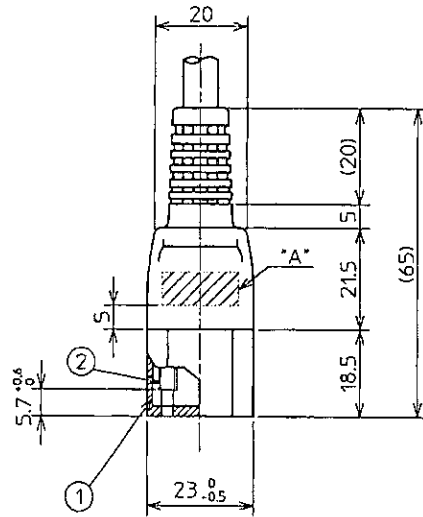
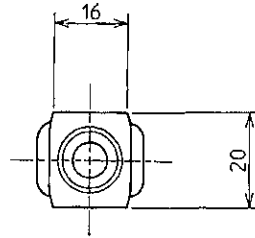
△X			
△X			
△X 5	変更、削除	Feb. '01	
△X	再トレース		
LET	REVISION	DATE	SIGN



TOLERANCE		ANGLE	SCALE	UNIT
DIMENSION	TOL.	DR. K.Kondou	1 : 1	mm
L ≤ 63	±0.5	DATE Dec.1'97		
		CH. IIGARASHI	DATE Dec.11'97	
		APP. T.KATSU	DATE Dec.11'97	

NAME	IEC 3P-PLUG
PART NO	VM0306B-A0
DRAWING NO.	MC0012CB

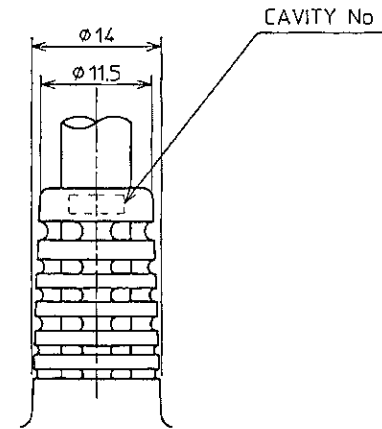
IT	NAME	MATERIAL	REMARK
1	INNER BASE	#66NYLON	C-485A
2	CONTACT SLEEVE	C5191R-1/2H	△ B-202A
3	BODY	PVC	△
4	CORD	O-C 3X1.0mm ²	△ △



MARKING OF AREA "A"

~ 10A 250V
 (H) (D) (N) (S)

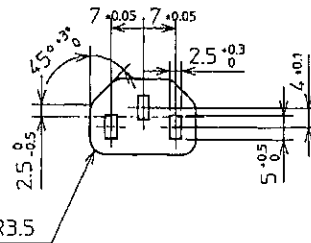
MARKING OF THE REVERSE SIDE AREA "A"



DETAIL OF STRAIN RELIEF

2/1

VM0303B
 ◎ HIRAKAWA UF



APPROVED	SEMKO	NEMKO	DEMKO	FIMKO	SEV
	OVE	VDE	KEMA	CEBEC	

LET	REVISION	DATE	SIGN
△ X			
△ X			
△ X 4	変更・削除 再トレース	MAR.05'01	T. Katsu



TOLERANCE		ANGLE	SCALE	UNIT
DIMENSION	TOL.	DR. T. AIZAWA	1 : 1	mm
		CH. I. IGARASHI		
L ≠ 65	±0.5	APP. T. KATSU		

NAME	PART NO.	DRAWING NO.
EN 10A 250V-3P-CONNECTOR	VM0303B-A0	MC0010CC