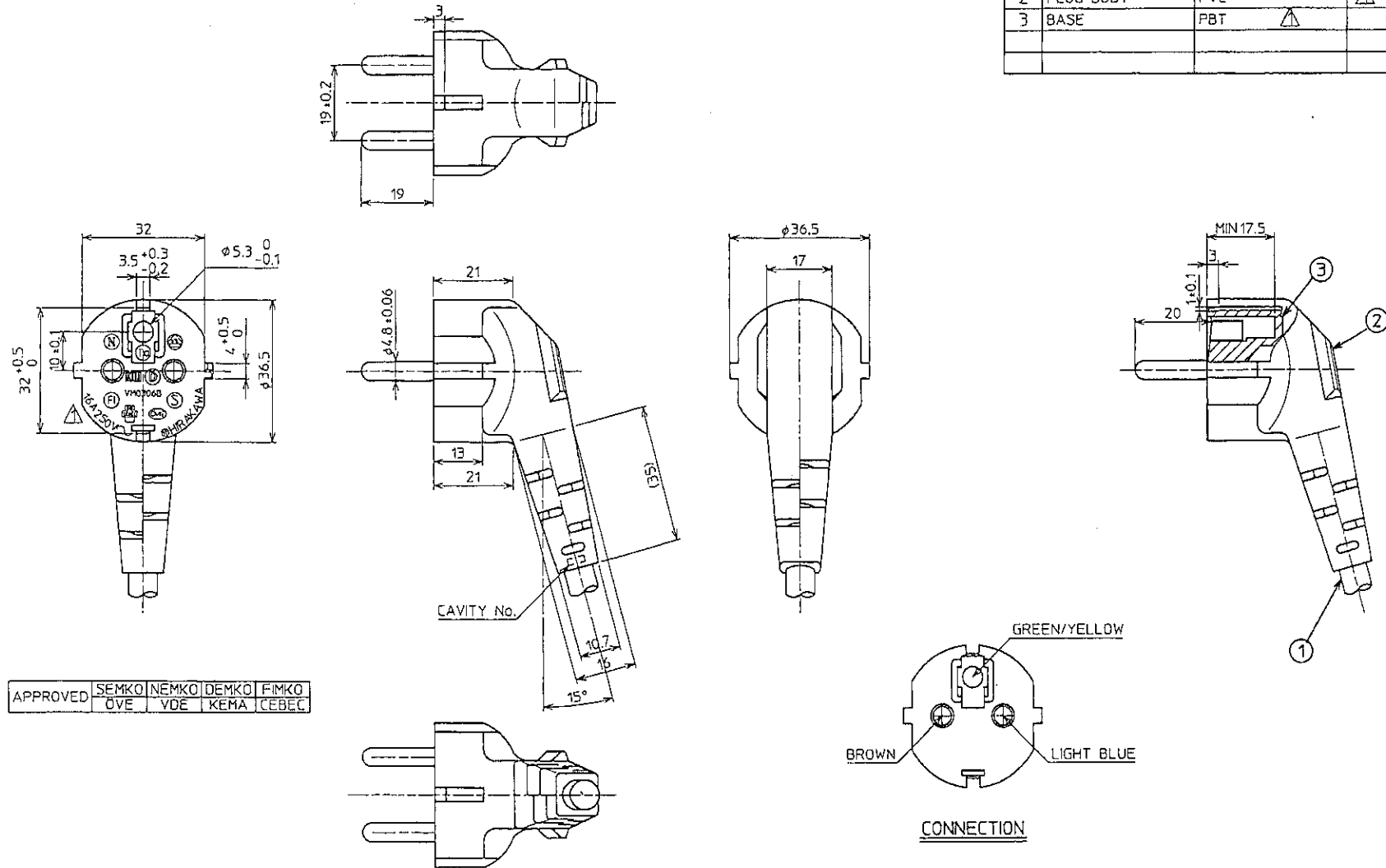


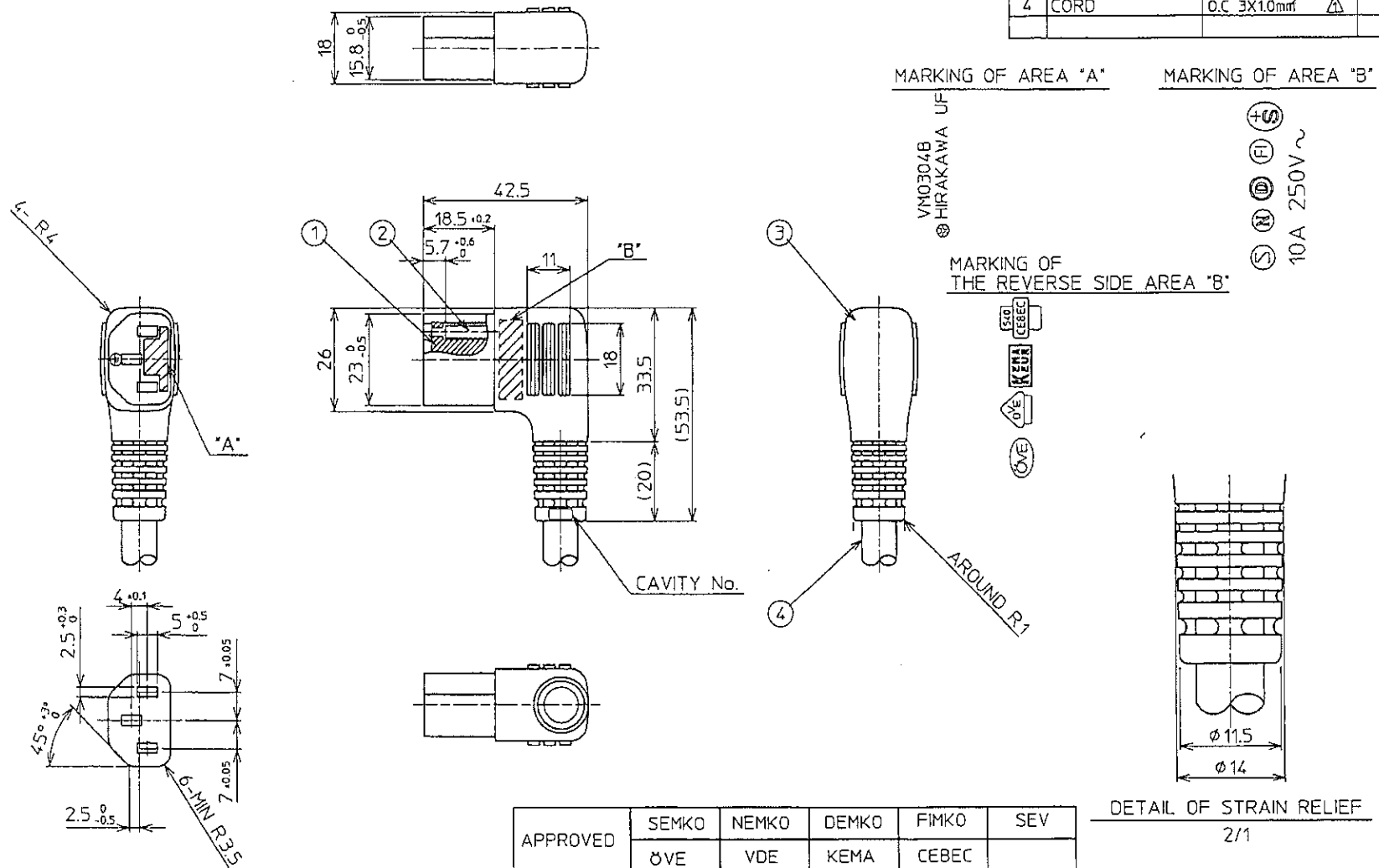
IT	NAME	MATERIAL	REMARK
1	CORD	φ-C 3×1.0mm ²	
2	PLUG BODY	PVC	
3	BASE	PBT	C-511



APPROVED	SEMKO	NEMKO	DEMKO	FIMKO
	OVE	VDE	KEHA	CEBEC

△X				 HIRAKAWA HEWTECH CORP.	TOLERANCE	ANGLE	SCALE 1:1	UNIT mm	NAME IEC 3P-PLUG
△X					DIMENSION	DR. K.Kandou	DATE Dec.1'97		PART NO VM0306B-A0
△X 5	変更・削除	Feb. 1'01			L≠ 63	CH. I.IGARASHI	DATE Dec.11'97		DRAWING NO. MC0012CB
△X	再トレース					APP. T.KATSU	DATE Dec.11'97		
LET	REVISION	DATE	SIGN						

IT	NAME	MATERIAL	REMARK
1	INNER BASE	#66 NYLON	C-485A
2	CONTACT SLEEVE	C5191R-1/2H Δ	B-202A
3	BODY	PVC Δ	
4	CORD	O.C 3X1.0mm Δ	Δ



APPROVED	SEMKO	NEMKO	DEMKO	FIMKO	SEV
	OVE	VDE	KEMA	CEBEC	

DETAIL OF STRAIN RELIEF
2/1

LET	REVISION	DATE	SIGN	TOLERANCE	ANGLE	SCALE	UNIT	NAME
				DIMENSION	\circ	1:1	mm	EN 10A 250V-3P-CONNECTOR
				TOL.	DR. T.Aizawa	DATE Sep.08'99		PART NO. VM0304B-A0
					CH. I.Igarashi	DATE Sep.13'99		DRAWING NO. MC0133CB
				L ≤ 65	APP. T.Katsu	DATE Sep.13'99		

