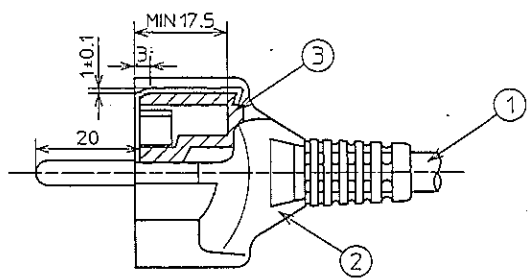
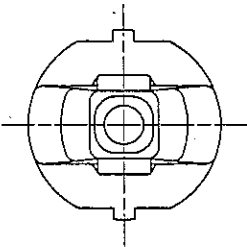
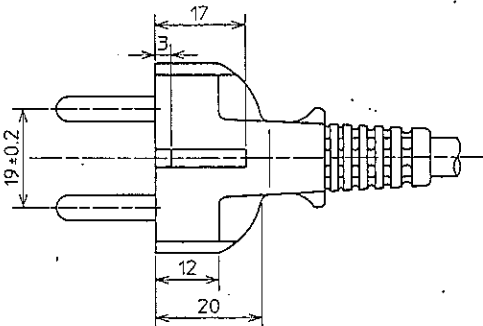
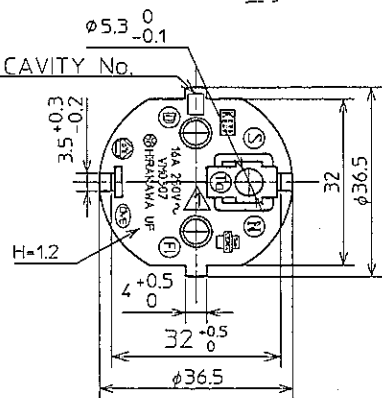
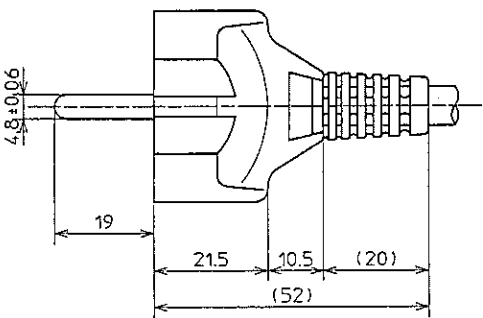
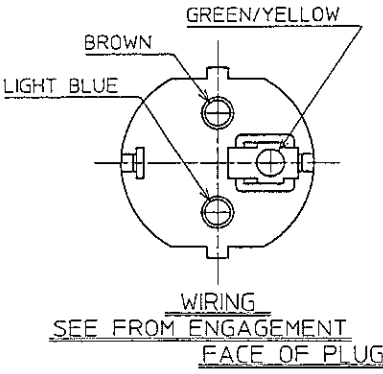


IT	NAME	MATERIAL	REMARK
1	CORD	0·C 3×0.75mm <sup>2</sup>	△
2	BODY	PVC	△
3	BASE	PBT	△ C-511



APPROVED	SEMKO	NEMKO	DEMKO	FIMKO
	OVE	VDE	KEMA	CEBEC

△×			
△×			
△×			
△× 5	再トレース、変更、削除		
LET	REVISION	DATE	SIGN



TOLERANCE		ANGLE	SCALE	UNIT
DIMENSION	TOL.	DR. T.Aizawa	1:1	mm
L≧63	±0.5	CH. I.I.ashi	DATE Feb.1'01	
		APP. T.K...	DATE Feb.01.01	

NAME	IEC 3P-PLUG
PART NO.	VM03070-A0
DRAWING NO.	MC0157CA