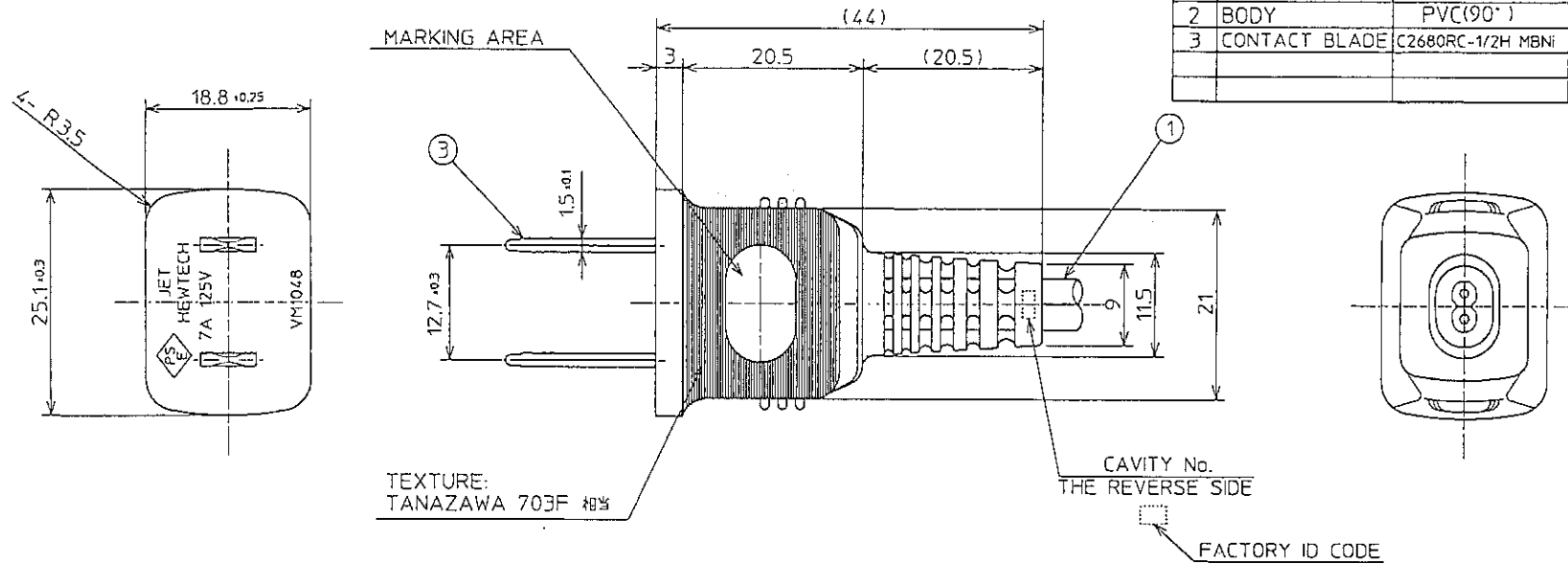


IT	NAME	MATERIAL	REMARK
1	CORD	HVFF 2X0.75mm ²	2.8X5.6
2	BODY	PVC(90°)	
3	CONTACT BLADE	C2680RC-1/2H MBNi	A-354.323



△X			
△X			
△X			
△X			
LET	REVISION	DATE	SIGN



TOLERANCE		ANGLE	SCALE	UNIT	NAME
DIMENSION	TOL.	DR. K.Morishita	2:1	mm	2P PLUG
L ≤ 63	±0.5	CH. I. Igarashi			PART NO. VM10480-C0
		APP. <i>I. Igarashi</i>			DRAWING NO. MC1198CA
			DATE Dec. 6'02		
			DATE Dec. 7.02		
			DATE Dec. 7.02		