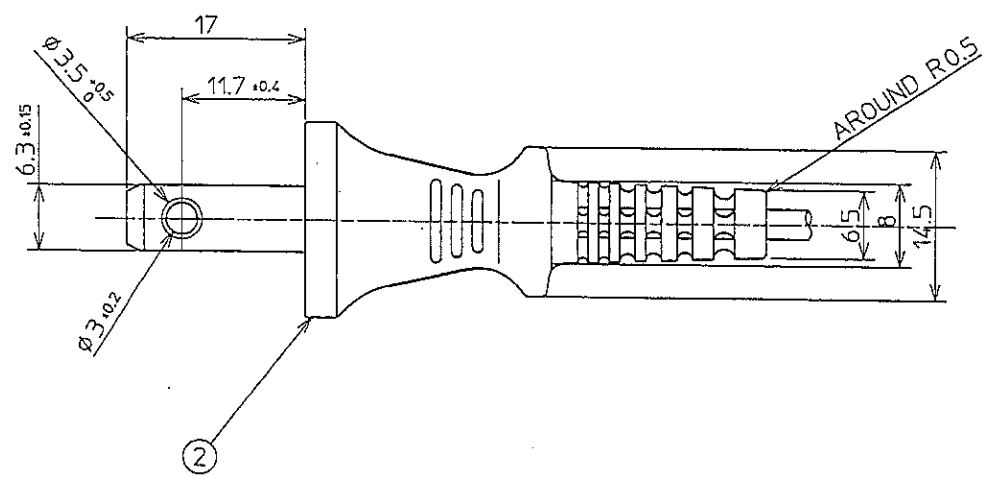
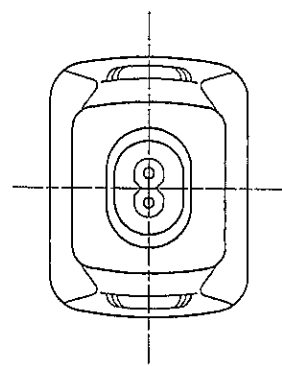
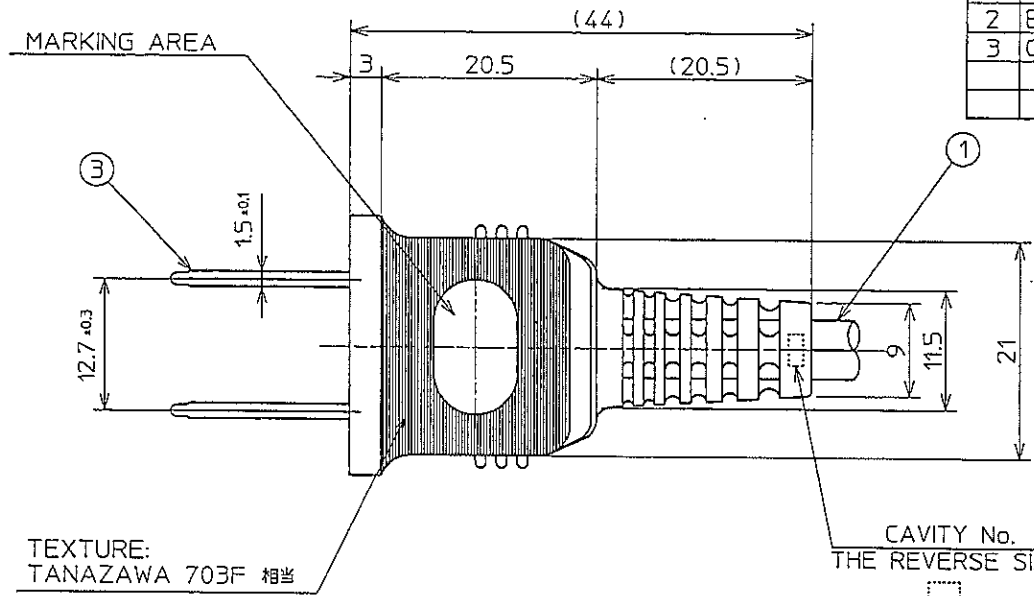
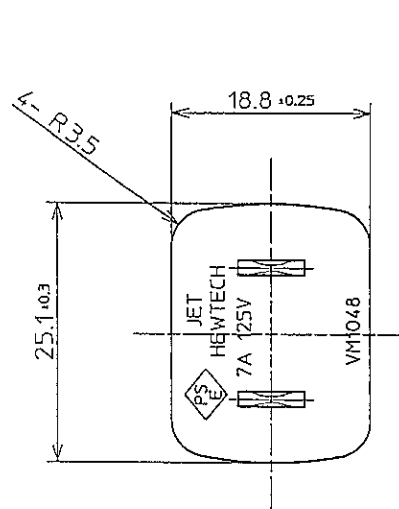


IT	NAME	MATERIAL	REMARK
1	CORD	HVFF 2x0.75mm <sup>2</sup>	2.8x5.6
2	BODY	PVC(90°)	
3	CONTACT BLADE	C2680RC-1/2H M8Ni	A-354,323

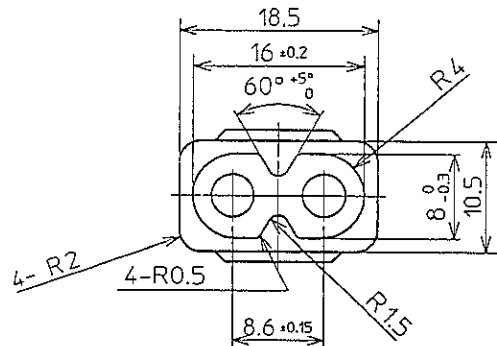


LET	REVISION	DATE	SIGN
△X			
△X			
△X			
△X			



TOLERANCE		ANGLE	SCALE	UNIT
DIMENSION	TOL.	DR. K.Morishita	2:1	mm
L ≤ 63	±0.5	CH. I. Igarashi	DATE Dec. 6'02	
		APP. <i>[Signature]</i>	DATE Dec. 7.02	
			DATE Dec. 7.02	

NAME	2P PLUG
PART NO.	VM10480-CO
DRAWING NO.	MC1198CA



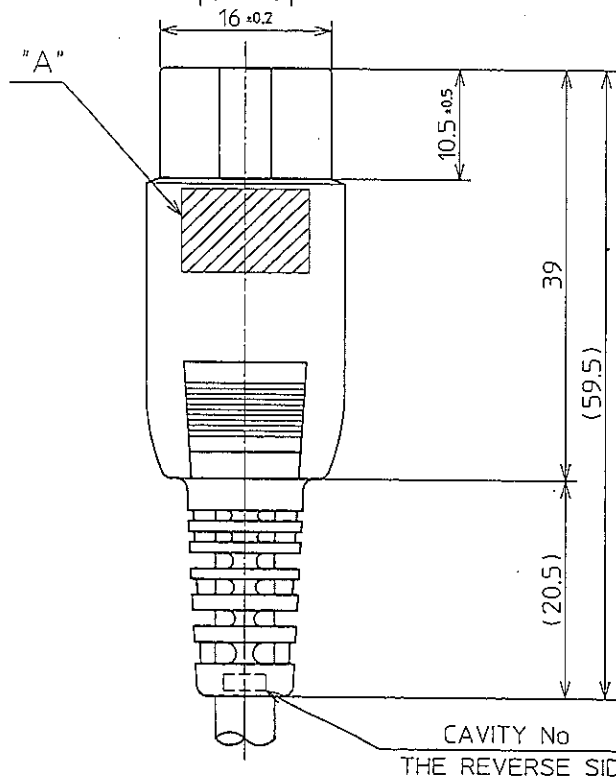
MARKING OF AREA "A"



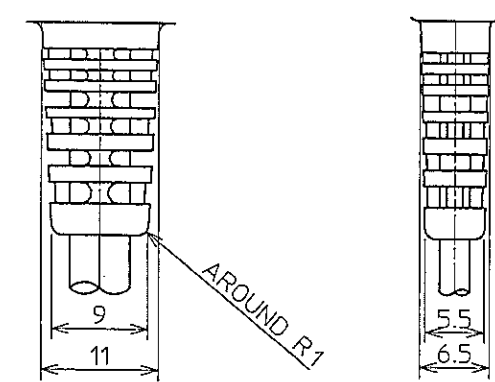
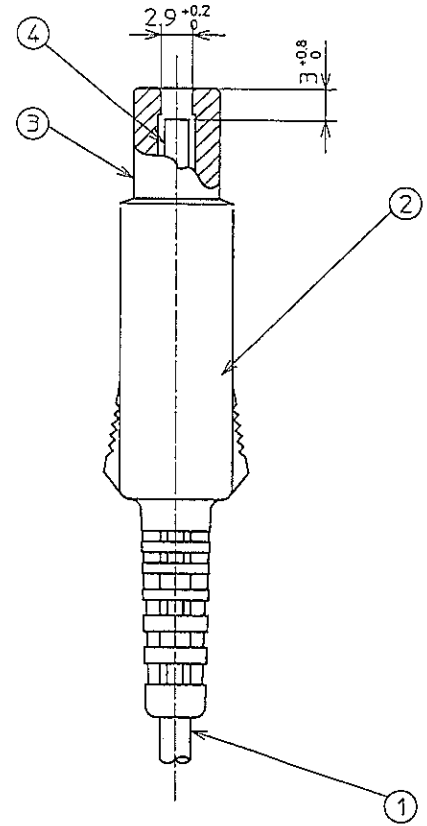
MARKING OF THE REVERSE SIDE AREA "A"

VM1099

IT	NAME	MATERIAL	REMARK
1	CORD	HVFF 2X0.75mm <sup>2</sup>	
2	BODY	PVC	
3	BASE	PPPE	C-422
4	CONTACT SLEEVE	CS191R-H	B-185



CAVITY No  
THE REVERSE SIDE  
FACTORY ID CODE



DETAIL OF STRAIN RELIEF

△X			
△X			
△X			
△X			
LET	REVISION	DATE	SIGN.



TOLERANCE		ANGLE	SCALE	UNIT	NAME
DIMENSION	TOL.	$\text{⊕} \text{⊖}$	2:1	mm	2P CONNECTOR
L ≤ 63	±0.5	DR. K.Morishita	DATE Jun.16'03	PART NO.	VM10990-B0
		CH. I. rashi	DATE Jun.20.03	DRAWING NO.	MC1280CA
		APP. <i>[Signature]</i>	DATE Jun.20.03		