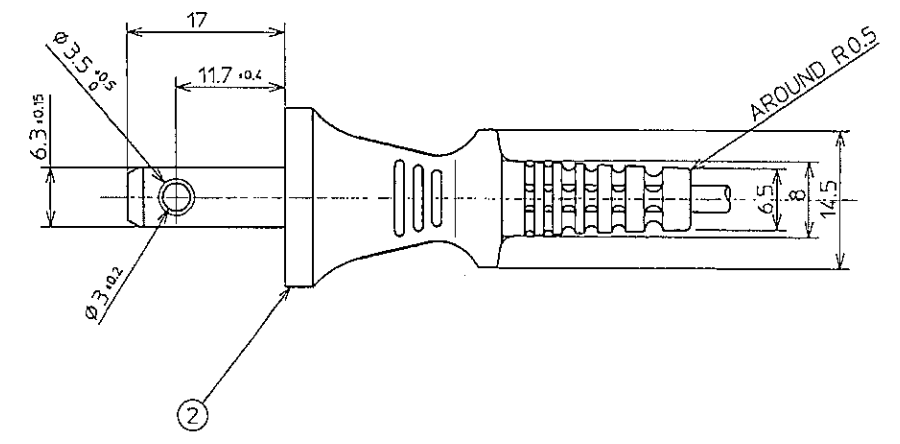
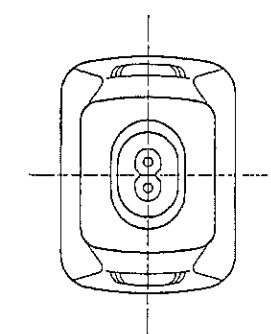
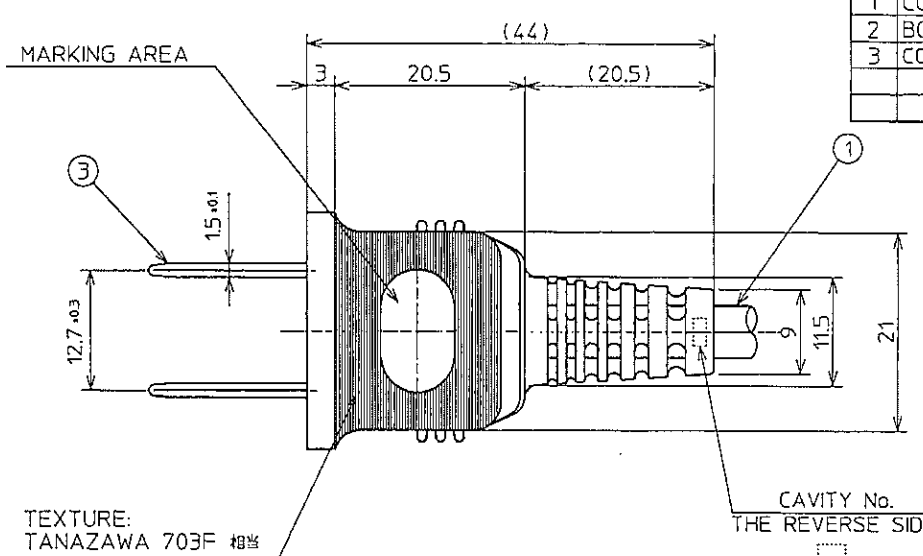
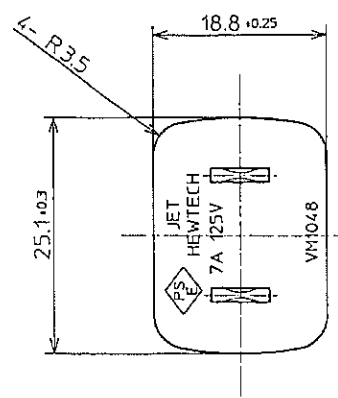


IT	NAME	MATERIAL	REMARK
1	CORD	HVFF 2x0.75mm ²	2.8x5.6
2	BODY	PVC(90°)	
3	CONTACT BLADE	C2680RC-1/2H MBNi	A-354,323



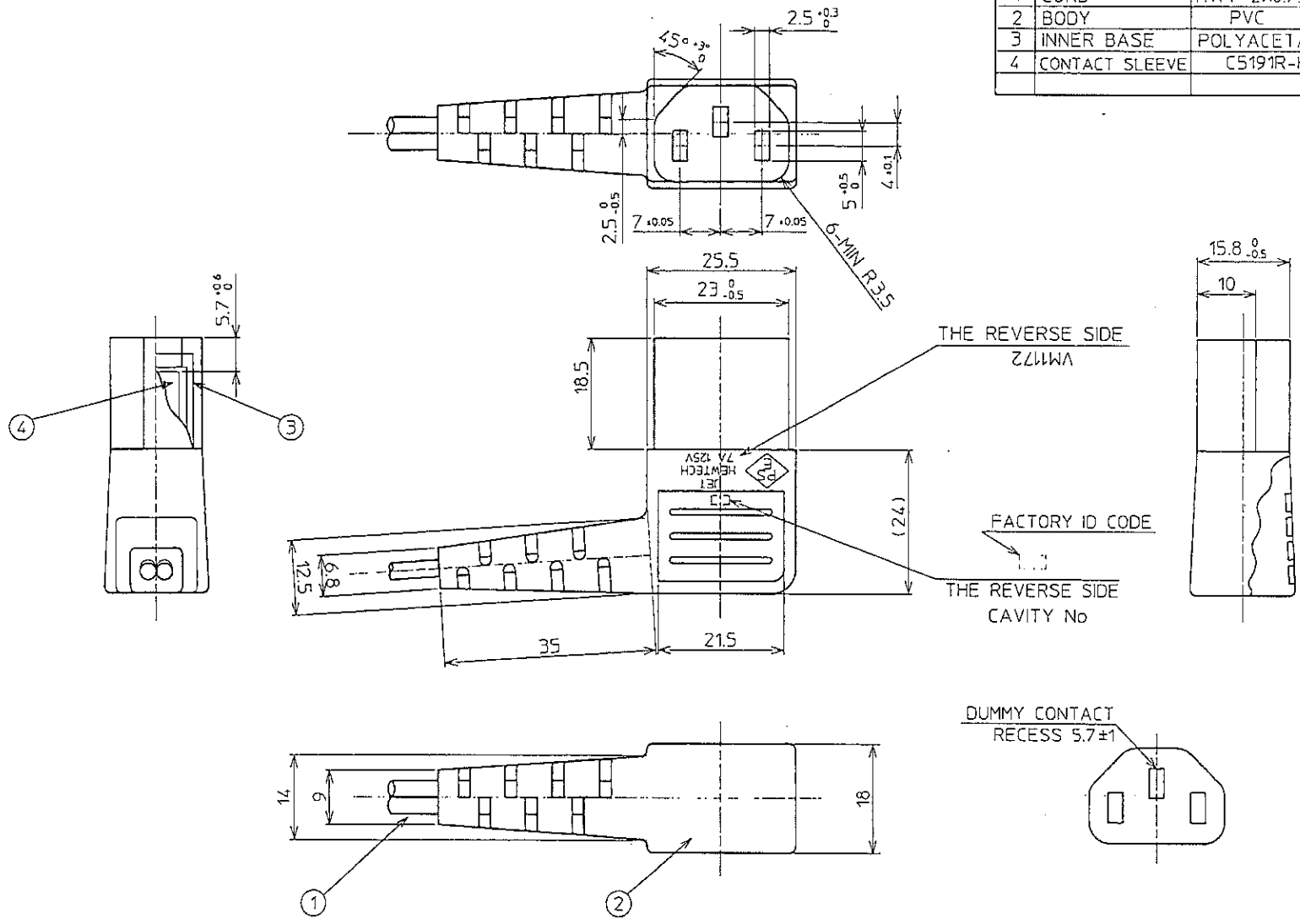
LET	REVISION	DATE	SIGN
△X			
△X			
△X			
△X			



TOLERANCE		ANGLE	SCALE	UNIT
DIMENSION	TOL.	DR. K.Morishita	2:1	mm
		CH. I.Igarashi		
L ≠ 63	±0.5	APP. <i>[Signature]</i>		

NAME	PART NO.	DRAWING NO.
2P PLUG	VM10480-C0	MC1198CA

IT	NAME	MATERIAL	REMARK
1	CORD	HVFF 2x0.75mm ²	
2	BODY	PVC	
3	INNER BASE	POLYACETAL	C-210
4	CONTACT SLEEVE	C5191R-H	B-169



△X	REVISION	DATE	SIGN
△X			
△X			
△X			



TOLERANCE	ANGLE	SCALE	UNIT	NAME
DIMENSION Ls 63 ±0.5	DR. K. Morishita	1.5:1	mm	2P CONNECTOR
	CH. I. Igarashi	DATE Jun. 3'03		PART NO. VM11720-C0
	APP. <i>I. Igarashi</i>	DATE Jun. 5.03		DRAWING NO. MC1283CA
		DATE Jun. 5.03		