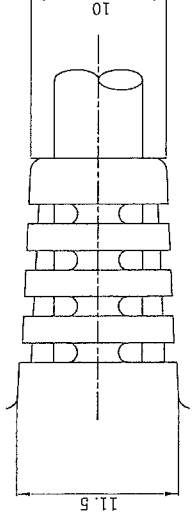
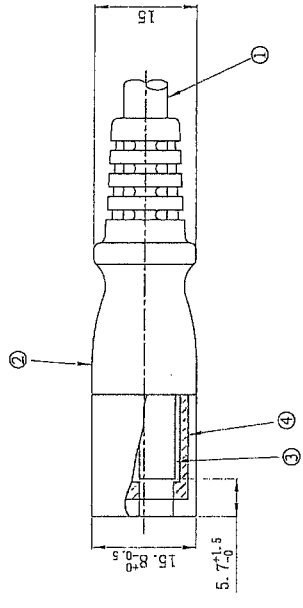
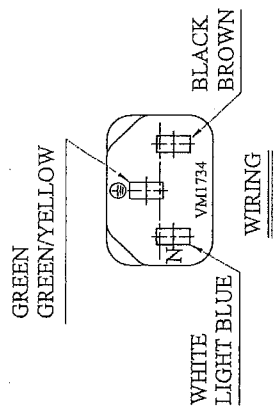
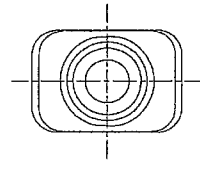
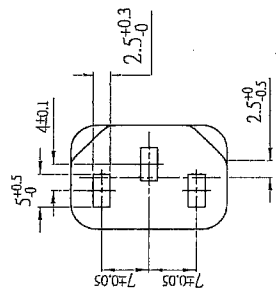
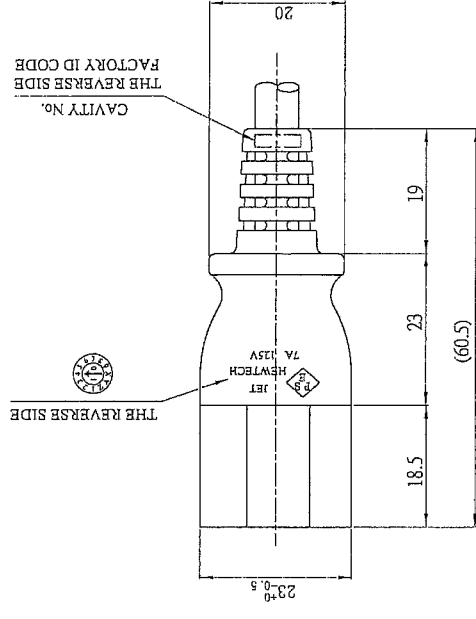




IT	NAME	MATERIAL	REMARK
1	CORD	HVCTF 3×0.75mm <sup>2</sup>	
2	CONNECTOR BODY	PVC	
3	CONTACT SLEEVE	PHOS C5191 H	
4	INNER BASE	PBT G30	



DETAIL OF STRAIN RELIEF (2/1)



△ ×	REVISION	DATE	SIGN	ANGLE	SCALE:	UNIT	NAME
△ ×				DR. J. Nagashima	DATE	mm	PSE 3P CONNECTOR
△ ×				CH. K. Morishita	Mar. 26 '10		PART NO. VM17340-A0
△ ×				APP. S. Nakayama	DATE		DRAWING NO. MCI397CB
LET					Mar. 26 '10		



E-050-99