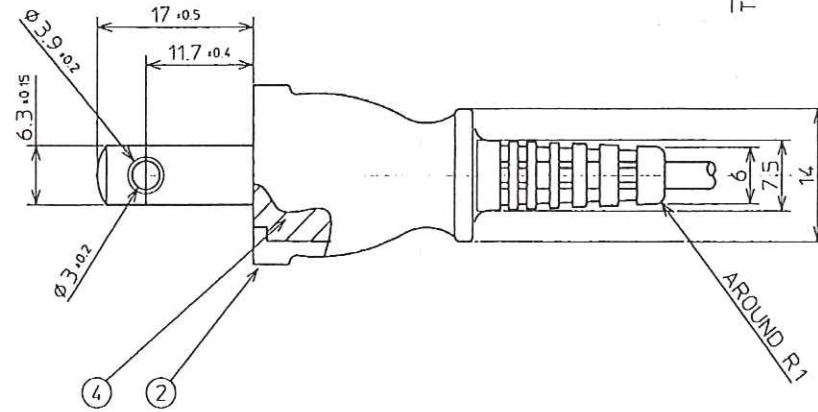
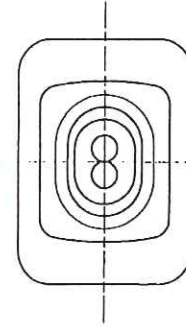
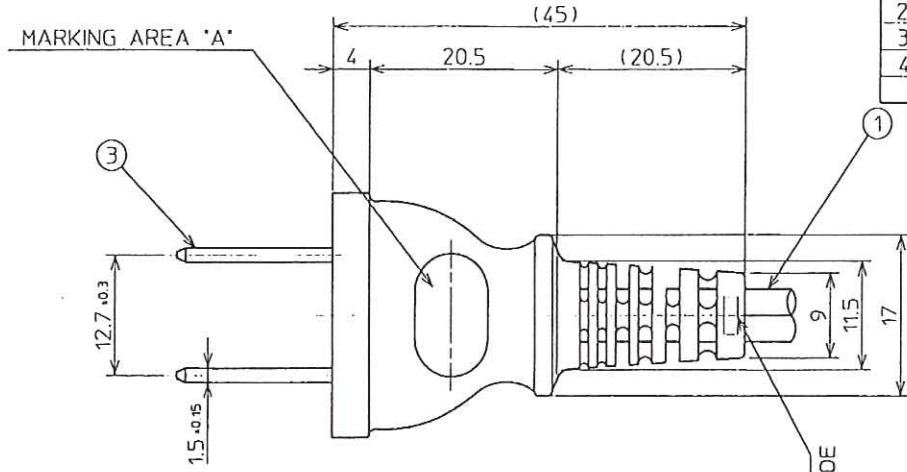
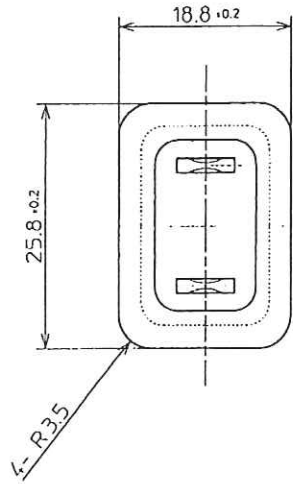


IT	NAME	MATERIAL	REMARK
1	CORD	VFF 2X0.75mm ²	
2	BODY	PVC	
3	CONTACT BLADE	C2680RC-1/2H	A-385
4	BASE	MBF-901G	C-013



CAVITY NO
THE REVERSE SIDE
FACTORY ID CODE



MARKING OF AREA "A"

MARKING OF THE REVERSE SIDE
AREA "A"

VM1090

△ X	REVISION	DATE	SIGN
△ X			
△ X			
△ X			



TOLERANCE		ANGLE	SCALE	UNIT
DIMENSION	TOL.	OR	2:1	mm
L ≤ 63	±0.5	DR		
		CH		
		APP.		

NAME	2P PLUG
PART NO	VM10900-R0
DRAWING NO	MC1277CA

DATE	DATE	DATE
Jun.16'03	Jun.20.03	Jun.20.03

L: 050-99