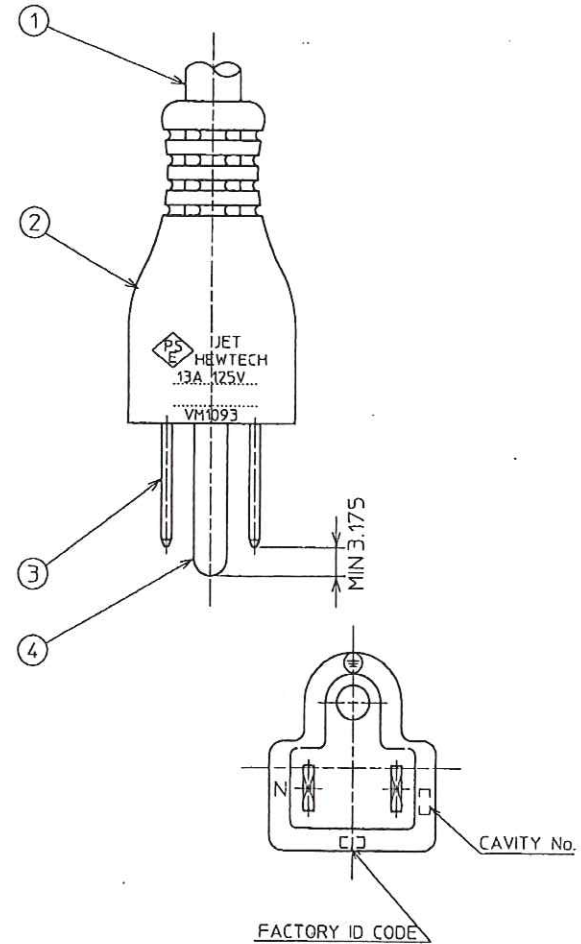
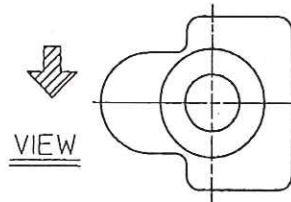
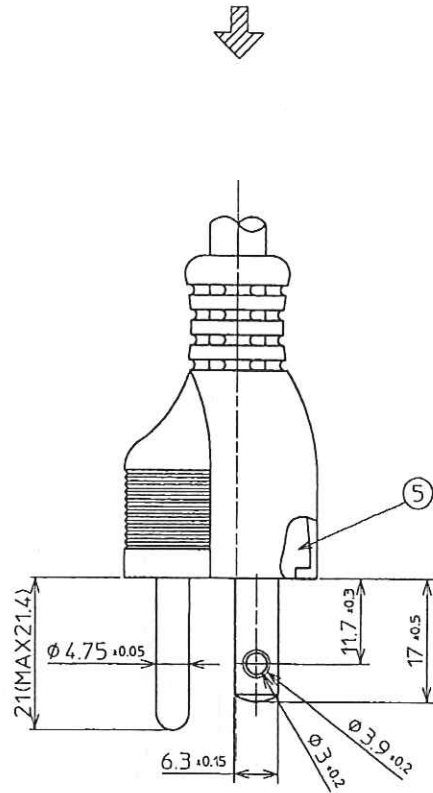
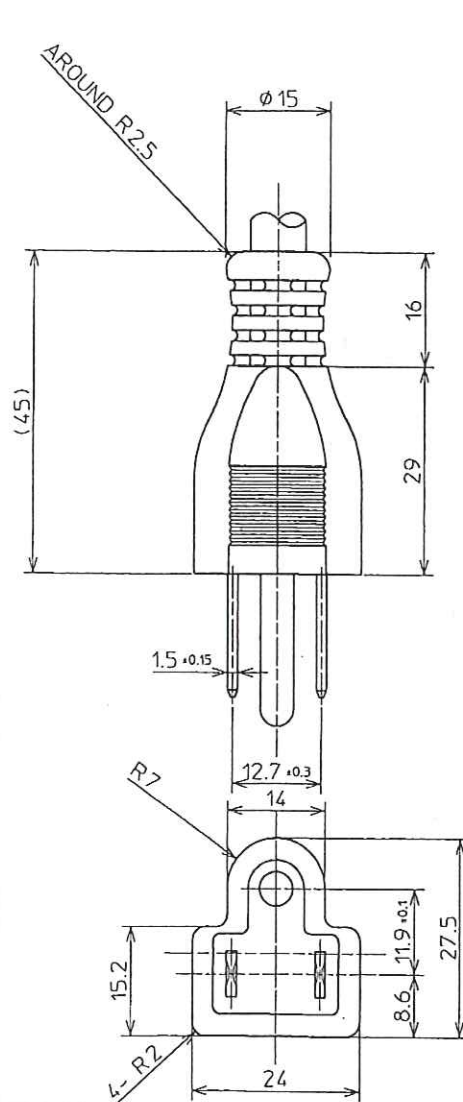


IT	NAME	MATERIAL	REMARK
1	CORD	HVCTF 3X1.25mm <sup>2</sup>	
2	BODY	PVC	
3	CONTACT BLADE	C2680RC-1/2H MBNI	A-386
4	EARTH PIN	C2680RC-1/2H MBNI	A-245C
5	BASE 熱硬化性樹脂	MBF-901G ミュ-ラス	C-031



LET	REVISION	DATE	SGN
△X			
△X			
△X			
△X			

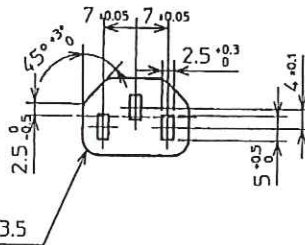
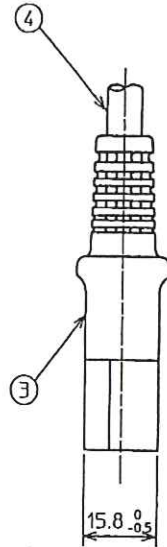
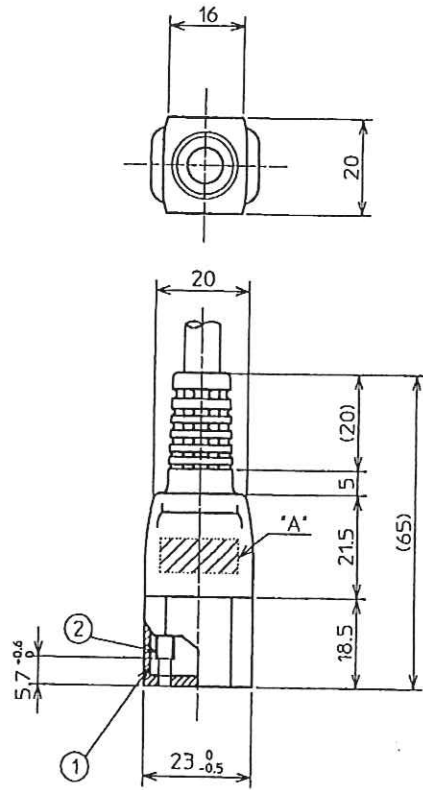


TOLERANCE		ANGLE	SCALE	UNIT
DIMENSION	TOL.	DR. K.Morishita	1.5 : 1	mm
Ls 63	±0.5	CH. I. Igarashi		
		APP. [Signature]		

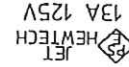
NAME	DATE
3P-PLUG	Apr.14'03
PART NO. VM10930-B0	DATE Apr.14.03
DRAWING NO. MC1245CA	DATE Apr.14.03

F-050-99

IT	NAME	MATERIAL	REMARK
1	INNER BASE	#66NYLON	C-485A
2	CONTACT SLEEVE	C519R-1/2H	B-202A
3	BODY	PVC	
4	CORD	HVCTF 3x1.25mm <sup>2</sup>	

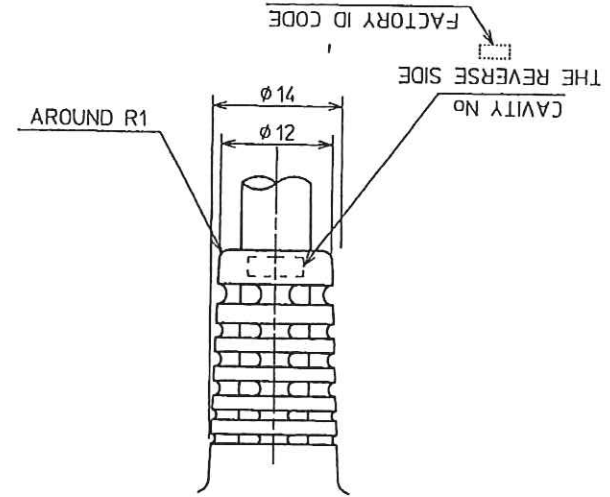


MARKING OF AREA 'A'



THE REVERSE SIDE MARKING OF AREA 'A'

VM1050



DETAIL OF STRAIN RELIEF

2/1

△X				
△X				
△X				
△X				
LET	REVISION	DATE	SIGN	



TOLERANCE		ANGLE	SCALE	UNIT	NAME
DIMENSION	TOL.		1 : 1	mm	国内 13A
L ≤ 65	±0.5	DR. K.Marishita			3P-CONNECTOR
		CH. I. Igarashi			PART NO. VM10500-B0
		APP.			DRAWING NO. MC1191CA

DATE	Nov.21'02
DATE	Nov.27.02
DATE	Nov.27.02

E-050-99