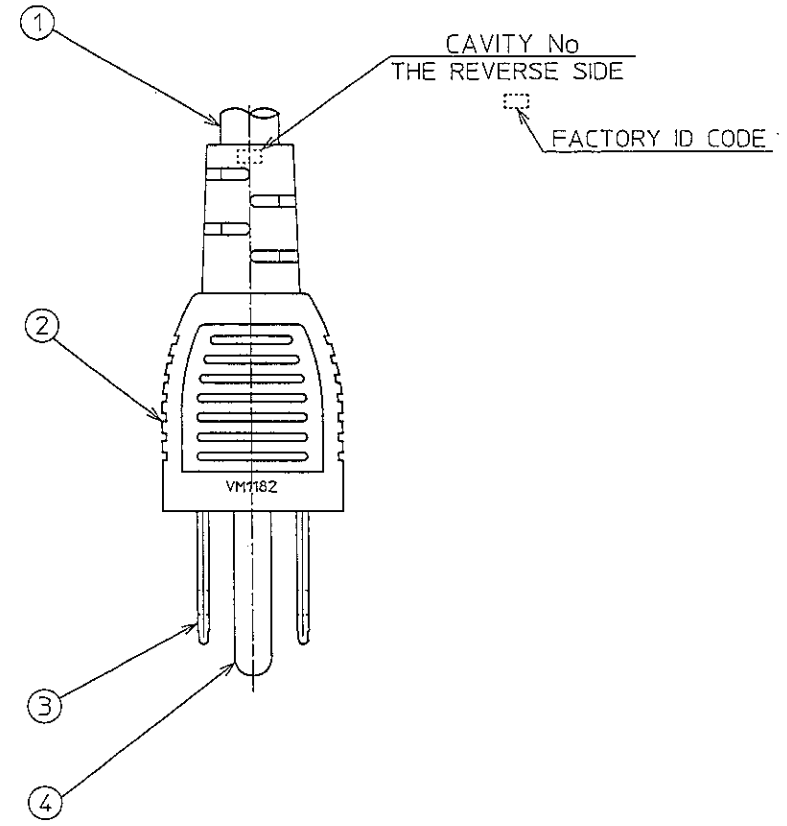
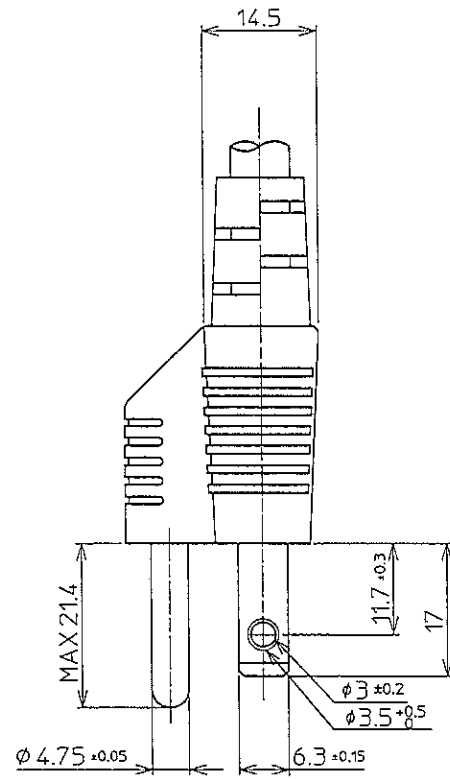
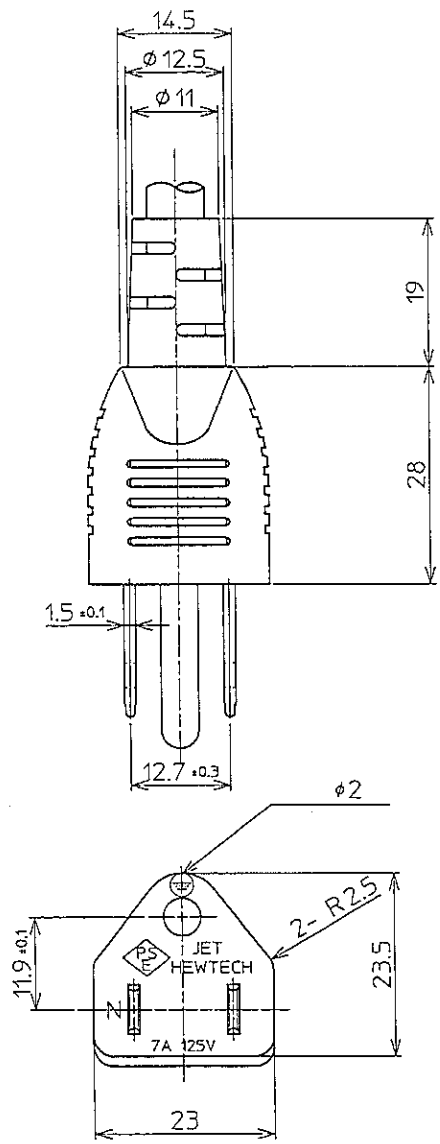


IT	NAME	MATERIAL	REMARK
1	CORD	HVCTF 3X0.75mm <sup>2</sup>	
2	BODY	PVC	
3	CONTACT BLADE	C2680RC-1/2 MBNI	A-354,323
4	EARTH PIN	C2680RC-1/2 MBNI	A-245C



△X			
△X			
△X			
△X			
LET	REVISION	DATE	SIGN.



TOLERANCE		ANGLE	SCALE	UNIT
DIMENSION	TOL.	$\text{⊕}$	1.5:1	mm
		DR. K. Morishita	DATE Feb.18'03	
		CH. I. Iguchi	DATE Feb.18.03	
		APP. <i>[Signature]</i>	DATE Feb. 18.03	

NAME	3P PLUG
PART NO.	VM11820-C0
DRAWING NO.	MC1203CA