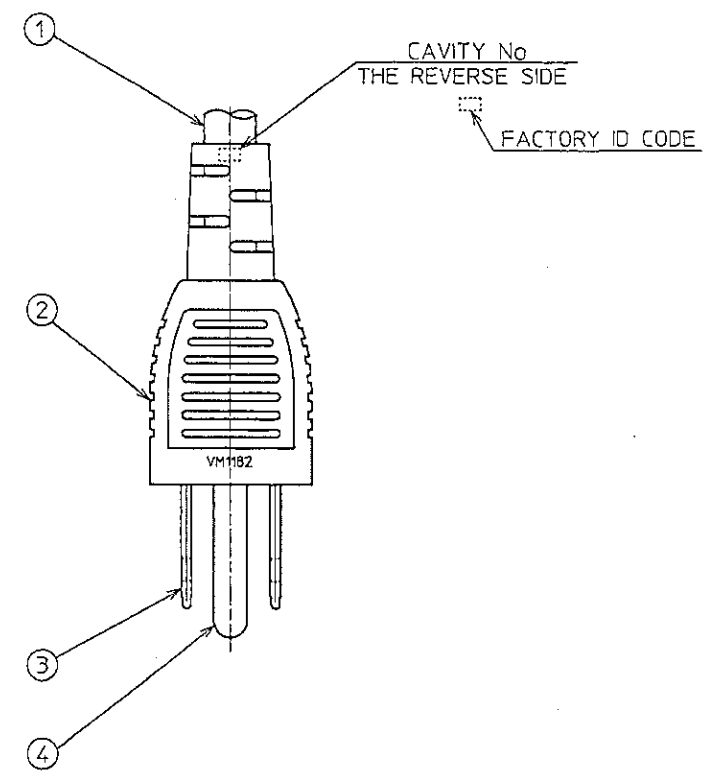
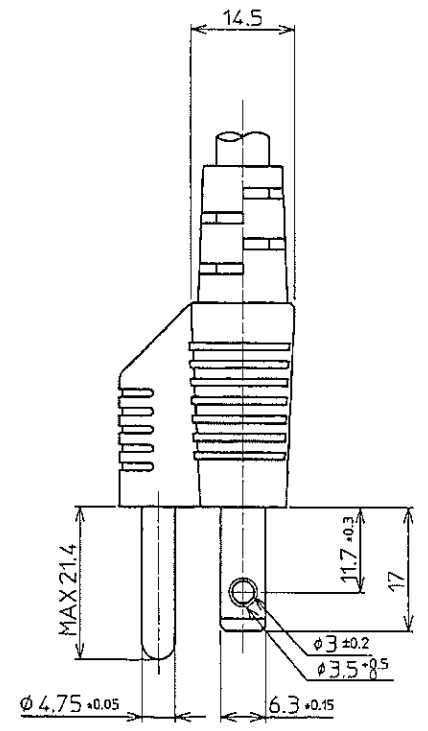
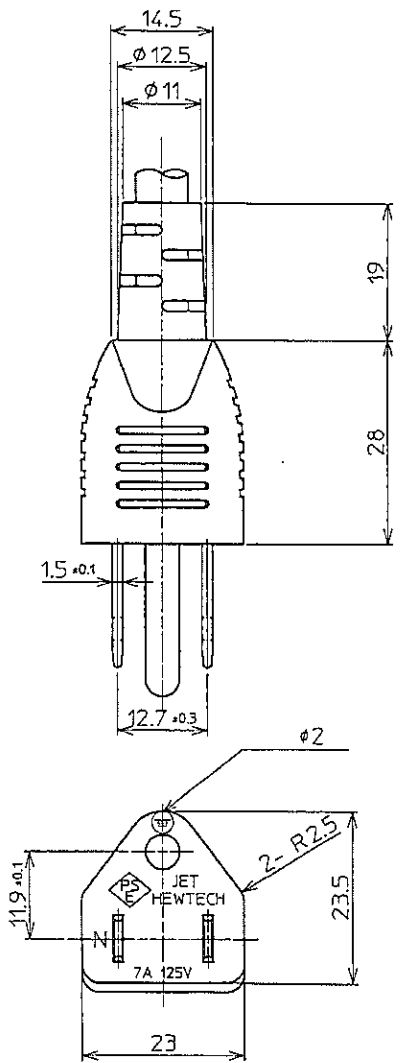


IT	NAME	MATERIAL	REMARK
1	CORD	HVCTF 3X0.75mm ²	
2	BODY	PVC	
3	CONTACT BLADE	C2680RC-1/2 MBNI	A-354,323
4	EARTH PIN	C2680RC-1/2 MBNI	A-245C



LET	REVISION	DATE	SIGN
△X			
△X			
△X			
△X			



TOLERANCE		ANGLE	SCALE	UNIT	NAME
DIMENSION	TOL.	DR. K.Morishita	1.5 : 1	mm	3P PLUG
±0.3	±0.5	DATE Feb.18'03			PART NO. VM11820-C0
		CH. I. Igarashi			DRAWING NO. MC1203CA
		APP. <i>Igarashi</i>			
		DATE Feb. 18. 03			

