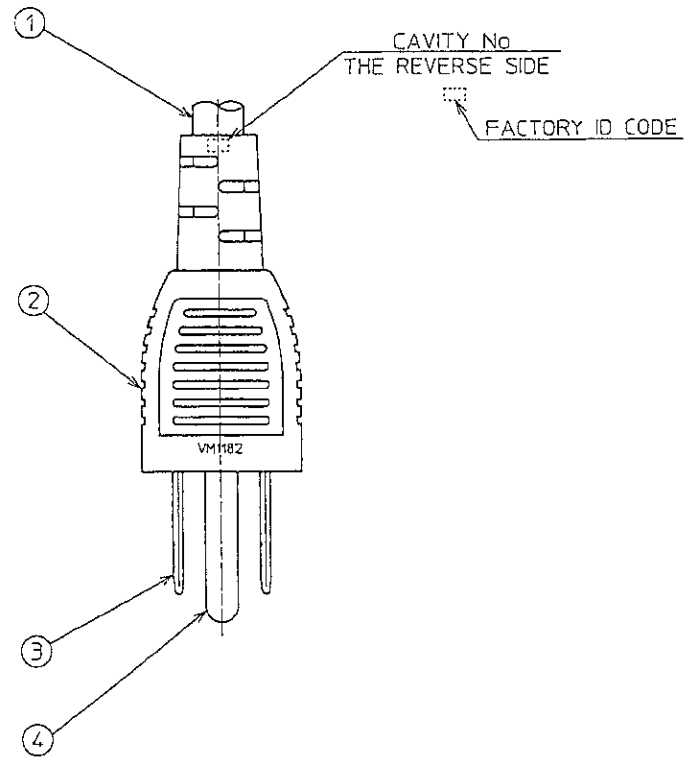
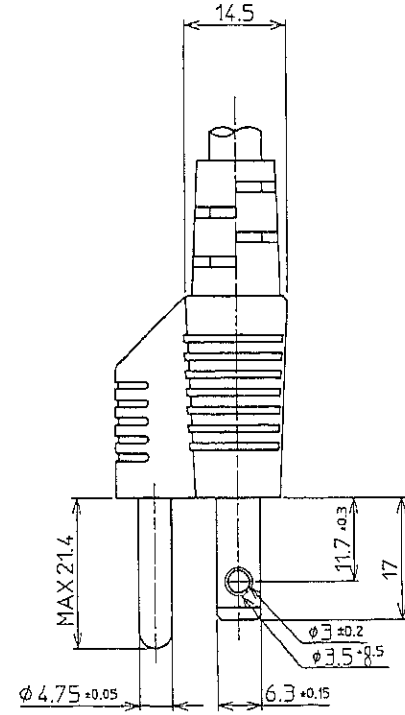
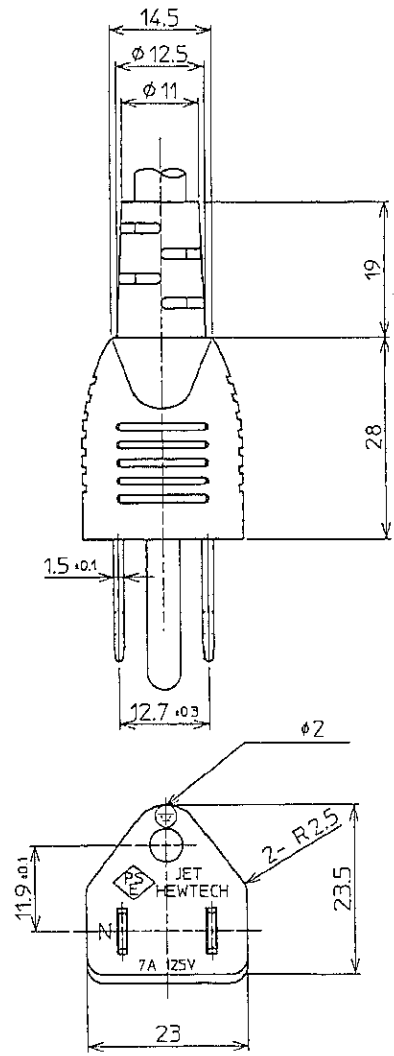


IT	NAME	MATERIAL	REMARK
1	CORD	HVCTF 3X0.75mm <sup>2</sup>	
2	BODY	PVC	
3	CONTACT BLADE	C2680RC-1/2 MBNI	A-354,323
4	EARTH PIN	C2680RC-1/2 MBNI	A-245C



LET	REVISION	DATE	SIGN
△X			
△X			
△X			
△X			

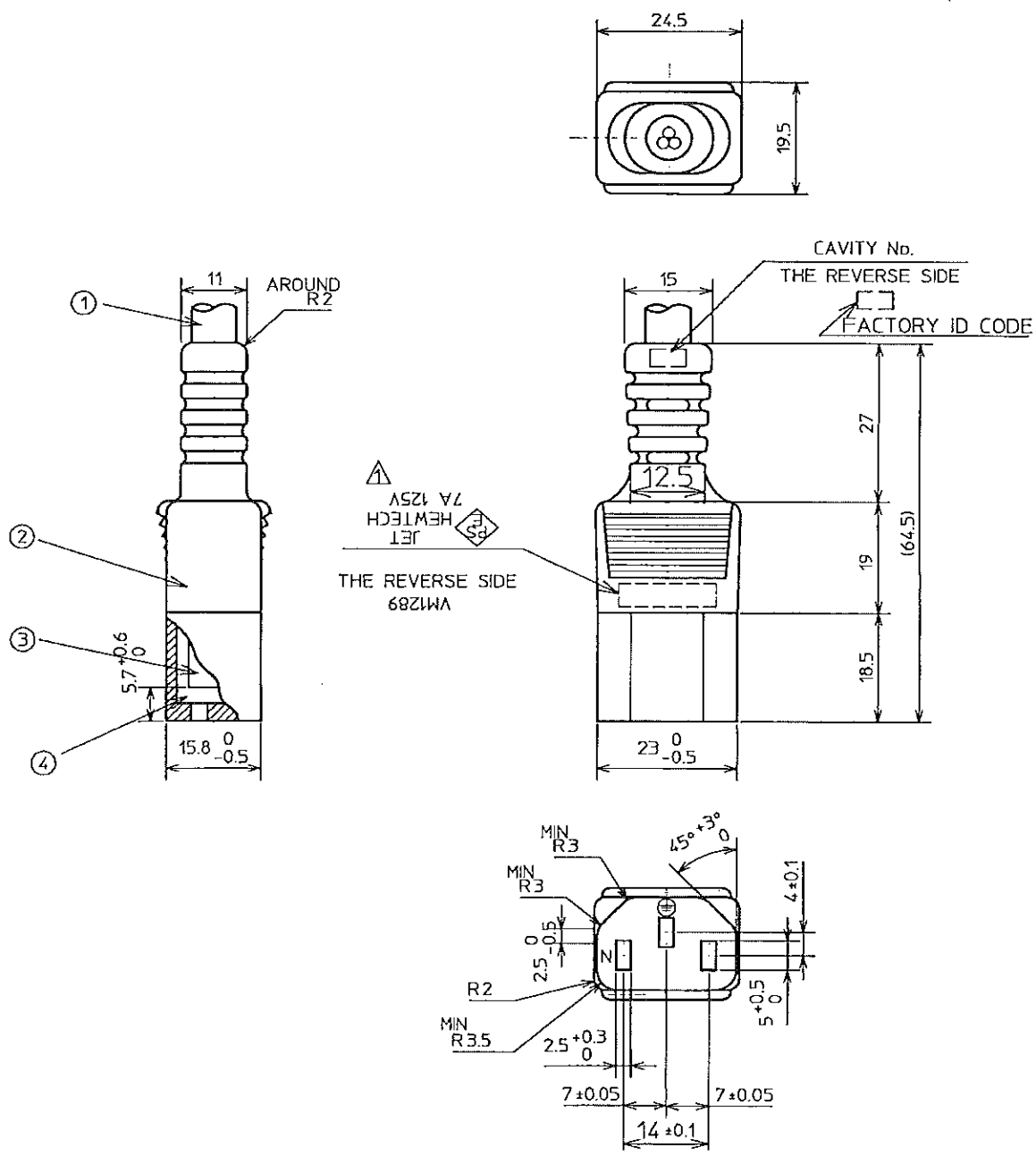


TOLERANCE		ANGLE	SCALE	UNIT
DIMENSION	TOL.	DR. K.Morishita	1.5 : 1	mm
L ≤ 63	±0.5	CH. I. Igarashi		
		APP. [Signature]		

NAME	PART NO.	DRAWING NO.
3P PLUG	VM11820-C0	MC1203CA

DATE	DATE	DATE
Feb.18'03	Feb.18.03	Feb. 18.03

IT	NAME	MATERIAL	REMARK
1	CORD	HVCTF.HVCTFS 3x0.75mm <sup>2</sup>	
2	CONNECTOR BODY	PVC	
3	CONTACT SLEEVE	C-5191R-H	B-169
4	INNER BASE	POLYACETAL	C-210



△X				DR. K.Morishita	DATE Feb.18'03
△X				CH. I.Igarashia	DATE Feb.18'03
△X	1 変更	Feb.23'06	K.Morishita	APP. Y.Mastunaga	DATE Feb.18'03
LET	REVISION	DATE	SIGN	NAME	3P-CONNECTOR
 HIRAKAWA HEWTECH CORP.		TOLERANCE		ANGLE	PART NO. VM12890-G0
		DIMENSION	TOL.	SCALE	
		L ≤ 63	±0.5	UNIT mm	
				DRAWING NO.	MC1202CB