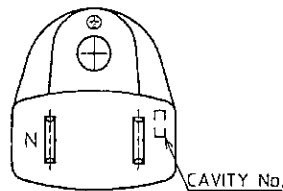
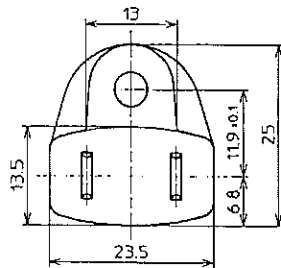
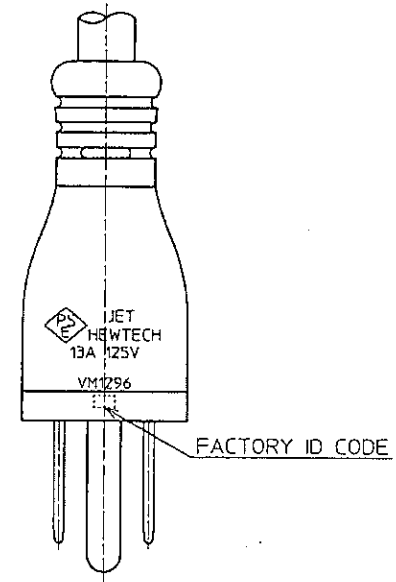
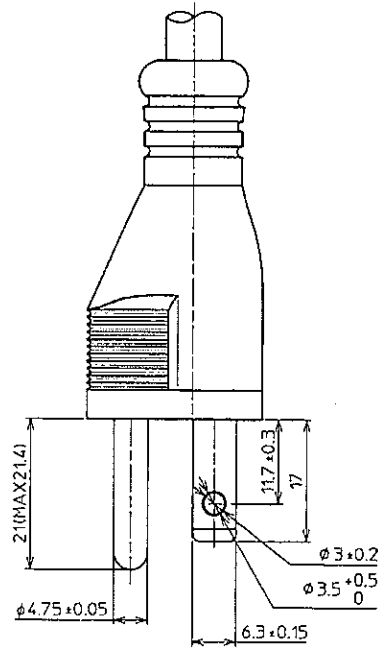
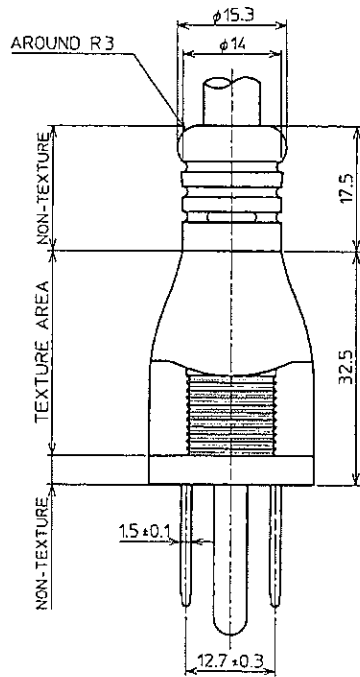
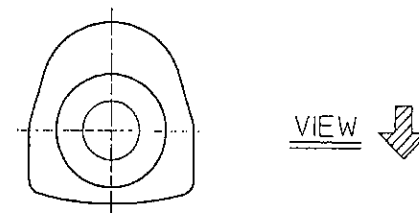


IT	NAME	MATERIAL	REMARK
1	CORD	HVCTF,HVCTFS 3x1.25mm ²	
2	BODY	PVC	
3	CONTACT BODY	C2680RC-1/2H MBNI	A-354.323
4	EARTH PIN	C2680RC-1/2H MBNI	A-267A
			A-245C



NOTE
 1. TEXTURE TO BE SNA-2 (TANAZAWA).
 2. TEXTURE AREA AS INDICATED IN THE FIGURE.



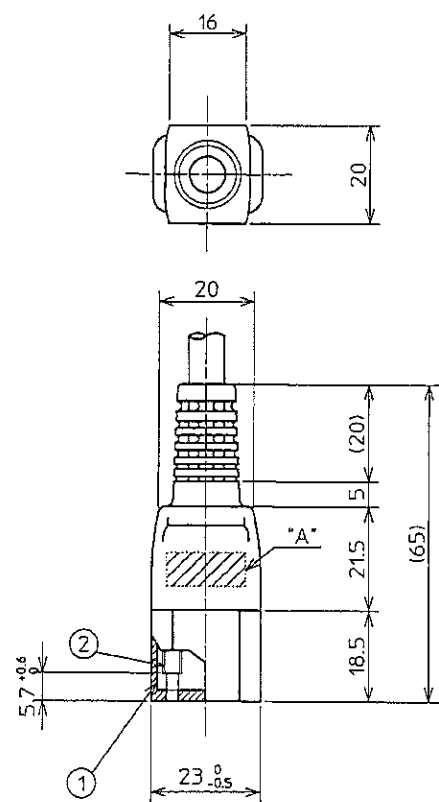
LET	REVISION	DATE	SIGN
△X			
△X			
△X			
△X			



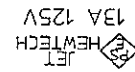
TOLERANCE		ANGLE	SCALE	UNIT
DIMENSION	TOL.	DR. K. Morishita	1.5 : 1	mm
L ± 0.3	± 0.5	CH. I. Igarashi	DATE Nov. 21.02	
		APP. [Signature]	DATE Nov. 21.02	

NAME	3P-PLUG
PART NO.	VM12960-C0
DRAWING NO.	MC1195CA-A

IT	NAME	MATERIAL	REMARK
1	INNER BASE	#66NYLON	C-485A
2	CONTACT SLEEVE	C519R-1/2H	B-202A
3	BODY	PVC	
4	CORD	HVCTF 3x1.25mm ²	

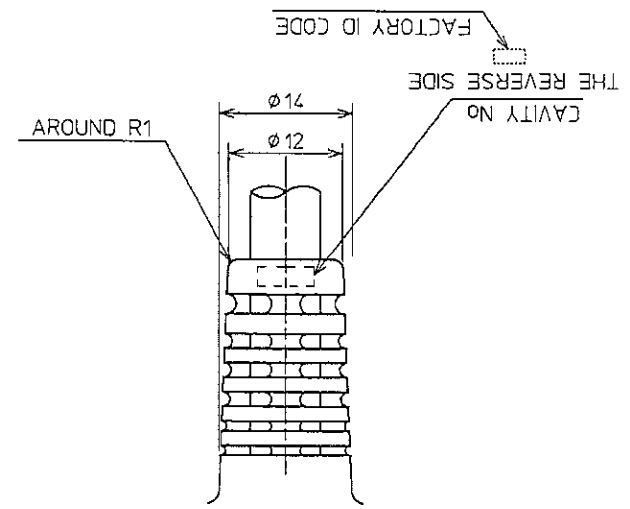
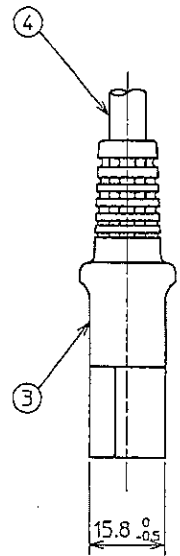


MARKING OF AREA "A"



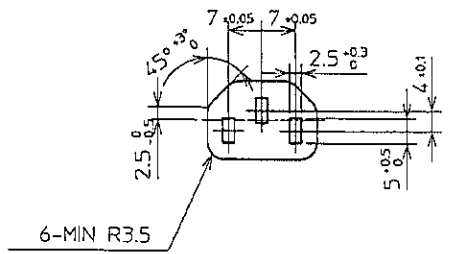
THE REVERSE SIDE MARKING OF AREA "A"

05101WA



DETAIL OF STRAIN RELIEF

2/1



△X			
△X			
△X			
△X			
LET	REVISION	DATE	SIGN



TOLERANCE		ANGLE	SCALE	UNIT
DIMENSION	TOL.	$\text{DR. } K. \text{Marishita}$	1 : 1	mm
		DATE	Nov.21'02	
		CH.	<i>I. Igarashi</i>	
		DATE	Nov.27.02	
		APP.	<i>M. Hoshino</i>	
		DATE	Nov.27.02	

NAME	国内 13A
	3P-CONNECTOR
PART NO.	VM10500-B0
DRAWING NO.	MC1191CA