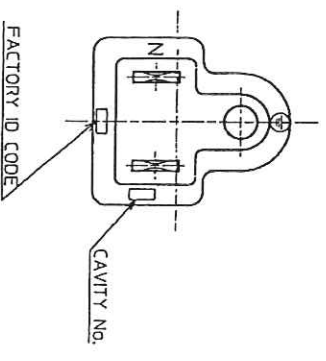
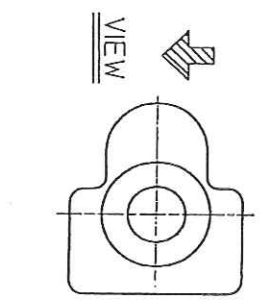
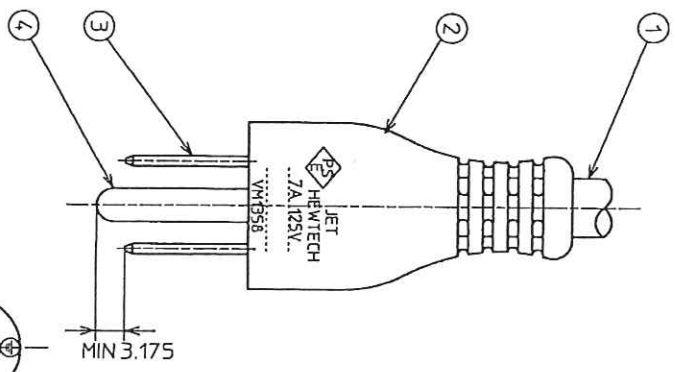
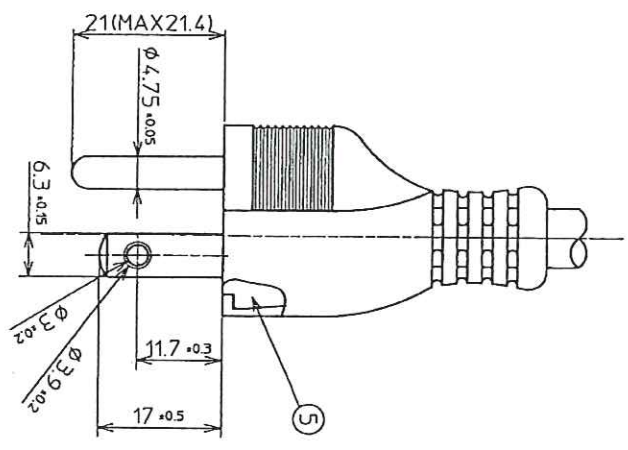
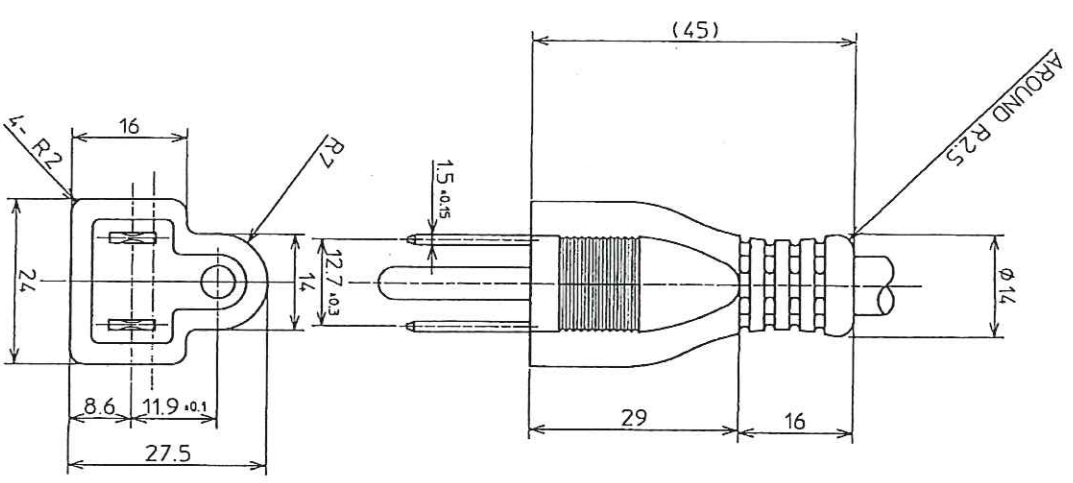


IT	NAME	MATERIAL	REMARK
1	CORD	CCTE-HYCTE 3X0.75mm <sup>2</sup>	
2	BODY	TPPE/PVC	
3	CONTACT BLADE	C2680RC-1/2H MBNI	A-386
4	EARTH PIN	C2680RC-1/2H MBNI	A-245C
5	BASE	MBF-901G 3.2-5.2	C-031



REVISION	DATE	SIGN	ANGLE	SCALE	UNIT	NAME
△△			⊕		MM	3P-PLUG
△△						
△△						
△△						
LET						

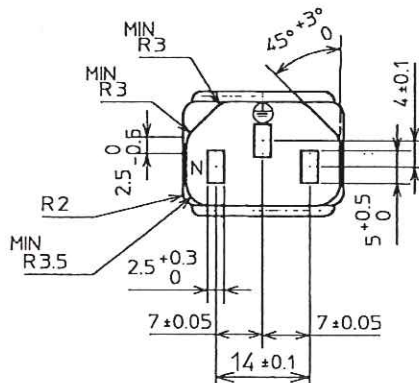
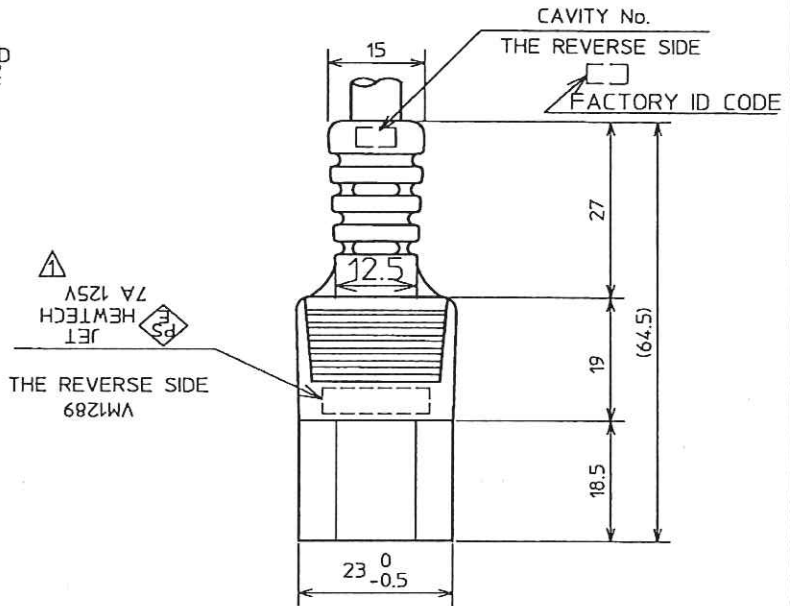
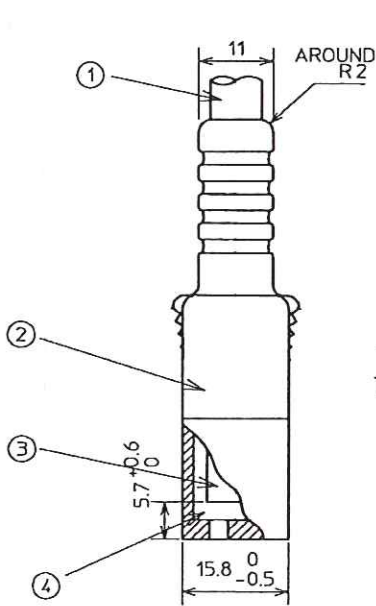
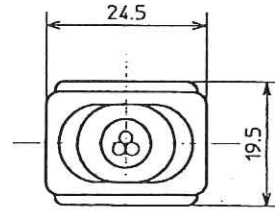


TOLERANCE	TOL.
DIMENSION	
L & 63	±0.5

DR.	DATE	APP.	DATE	PART NO.	DRAWING NO.
J.Nagashima	Apr. 19/05	K. Morishita	Apr. 19/05	VM13580-A0	MC1350CA
K. Morishita	Apr. 19/05				

E-050-99

IT	NAME	MATERIAL	REMARK
1	CORD	HVCTF,HVCTFS 3x0.75mm <sup>2</sup>	
2	CONNECTOR BODY	PVC	
3	CONTACT SLEEVE	C-5191R-H	B-169
4	INNER BASE	POLYACETAL	C-210



△X				DR. K.Morishita	DATE Feb.18'03
△X				CH. I.Igarashi	DATE Feb.18'03
△X	1 変更	Feb.23'06	K. Morishita	APP Y.Matsunaga	DATE Feb.18'03
LET	REVISION	DATE	SIGN		

 HIRAKAWA HEWTECH CORP.	TOLERANCE		ANGLE	NAME	3P-CONNECTOR
	DIMENSION	TOL.		PART NO.	VM12890-G0
	L ≤ 63	± 0.5	SCALE	DRAWING NO.	MC1202CB
			UNIT	mm	