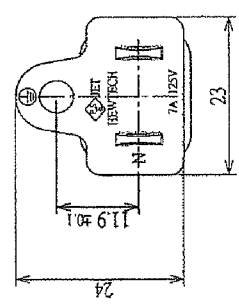
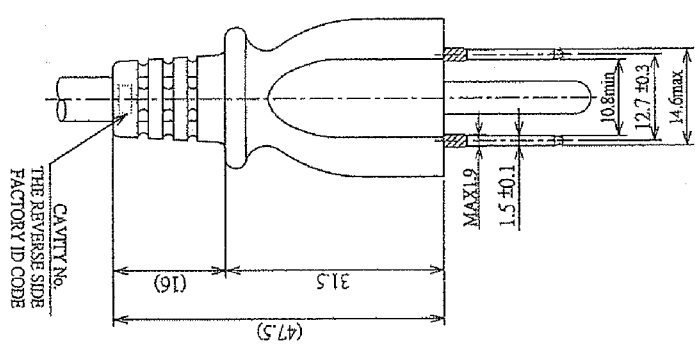
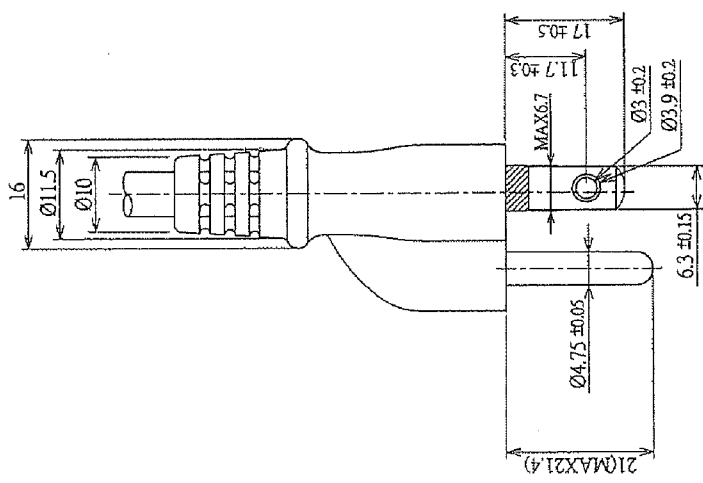
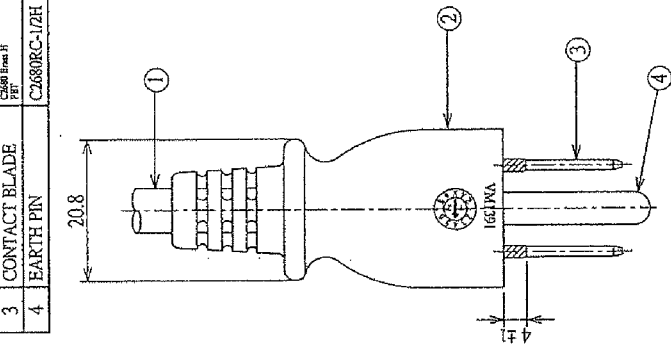


IT	NAME	MATERIAL	REMARK
1	CORD	HVCTF 3x0.75mm ²	
2	BODY	PVC	
3	CONTACT BLADE	CS80 (max. 11) PP	
4	EARTH PIN	C2880RC-1/2H	



ANGLE	SCALE	UNIT	NAME
DR. Henry Lau	DATE Aug. 30 '12	3P PLUG	
CH. Jacky Lau	DATE Aug. 30 '12	PART NO. VM13910-A0	
APP. S. Nakayama	DATE Aug. 30 '12	DRAWING NO. MC1454CA	

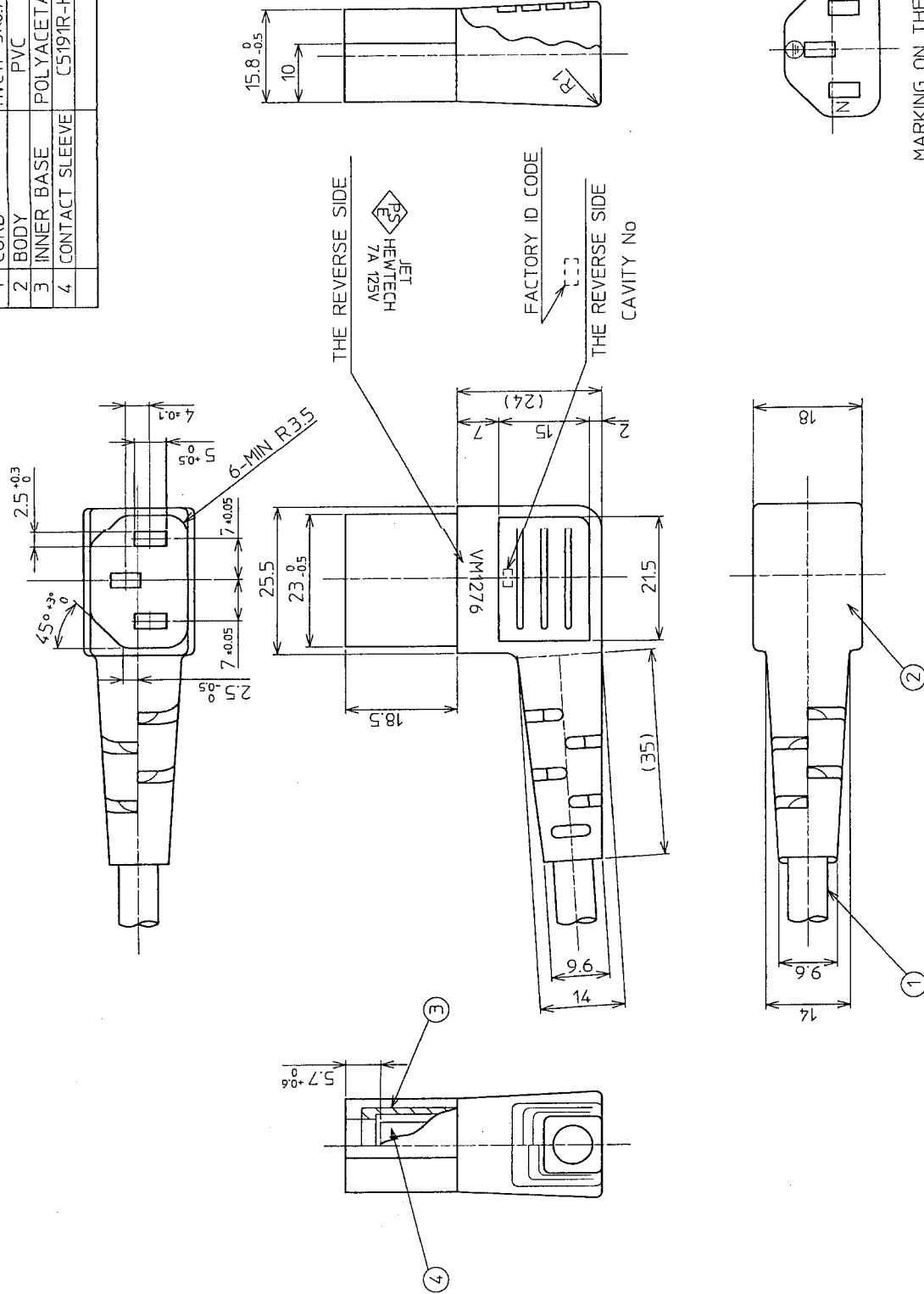
TOLERANCE	TOL.
DIMENSION	±0.5
L-503	

REVISION	DATE	SIGN
Δ X		
Δ X		
Δ X		
Δ X		
LET		



E-050-99

IT	NAME	MATERIAL	REMARK
1	CORD	HVCTF 3X0.75mm ²	
2	BODY	PVC	
3	INNER BASE	POLYACETAL	C-210
4	CONTACT SLEEVE	C5191R-H	B-169



MARKING ON THE FACE

REVISION	DATE	SIGN	SCALE	UNIT	NAME
△△			1:1	mm	3P CONNECTOR
△△					PART NO. VM12760-H0
△△					DRAWING NO. MC1215CA
△△					
LET					

TOLERANCE	ANGLE	SCALE	UNIT	NAME
DIMENSION TOL.	DR. K. Morishita	1:1	mm	3P CONNECTOR
L ± 0.3	CH. I. Igarashi			
± 0.5	APP. I. Igarashi			

DATE	SIGN	DATE	SIGN
Mar. 12.03			
Mar. 23.03			

E 000 00