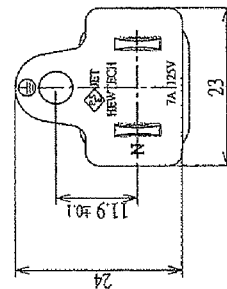
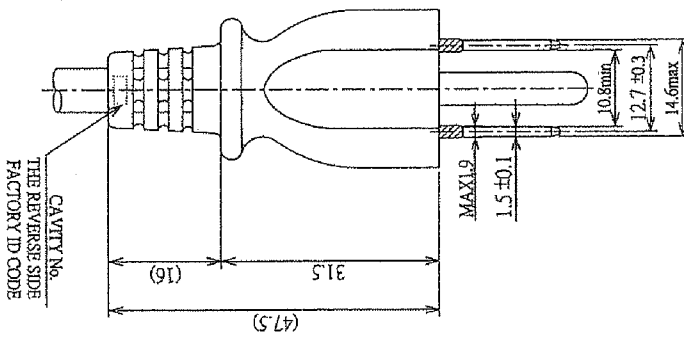
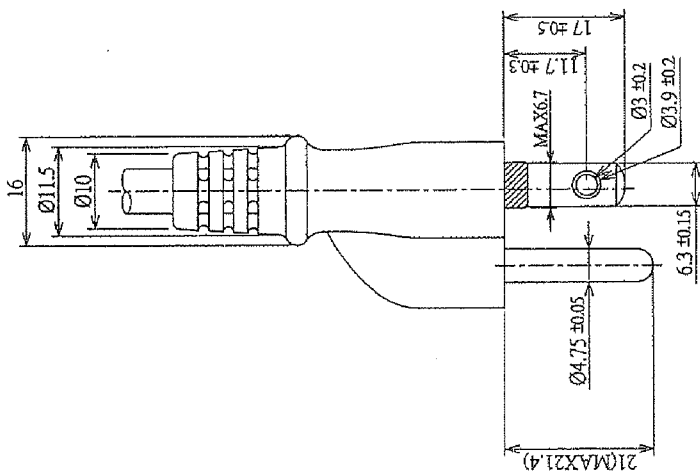
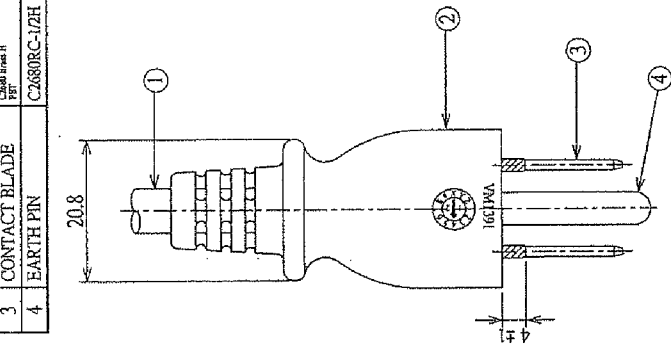


IT	NAME	MATERIAL	REMARK
1	CORD	HVCTF 3x0.75mm ²	
2	BODY	PVC	
3	CONTACT BLADE	16CT1WA C2680RC-1/2H	
4	EARTH PIN		



ANGLE	SCALE	UNIT	NAME
DR. <i>Henry Law</i>	DATE <i>Aug. 30 '12</i>	3P PLUG	
CH. <i>Jacky Law</i>	DATE <i>Aug. 30 '12</i>	PART NO. VM13910-A0	
APP. <i>S. Nakagawa</i>	DATE <i>Aug. 30 '12</i>	DRAWING NO. MC1454CA	

TOLERANCE	ANGLE	SCALE	UNIT	NAME
DIMENSION	DR. <i>Henry Law</i>	DATE <i>Aug. 30 '12</i>	3P PLUG	
L ≤ 63	CH. <i>Jacky Law</i>	DATE <i>Aug. 30 '12</i>	PART NO. VM13910-A0	
±0.5	APP. <i>S. Nakagawa</i>	DATE <i>Aug. 30 '12</i>	DRAWING NO. MC1454CA	

REVISION	DATE	SIGN
Δ X		
Δ X		
Δ X		
Δ X		
LET		

Hewlett HIRAKAWA HEWTECH CORP.	
--	--

E-050-99