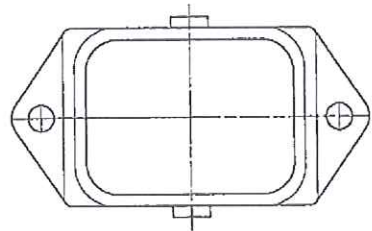
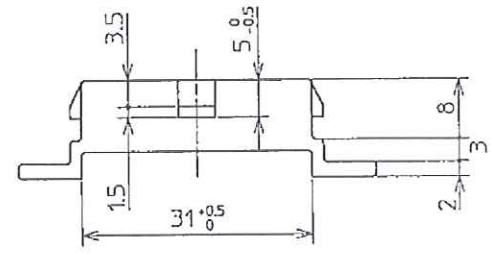
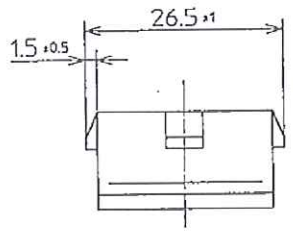
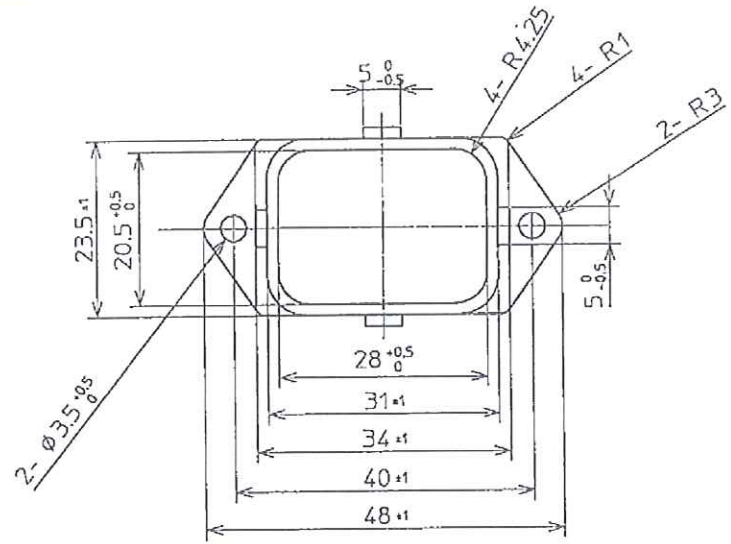


IT	NAME	MATERIAL	REMARK
	BODY	#66NYLON	



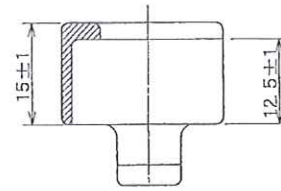
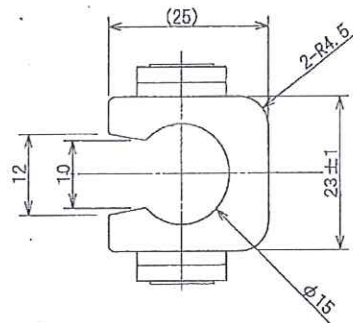
LET	REVISION	DATE	SIGN
△X			
△X			
△X			
△X			



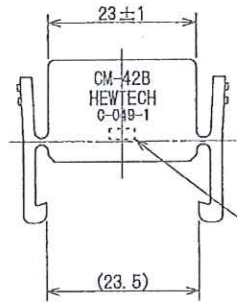
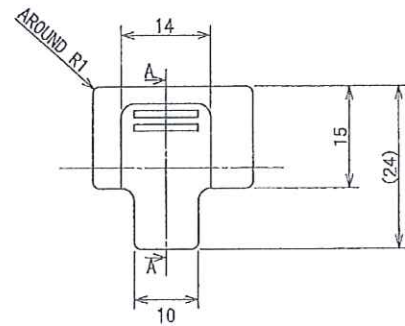
TOLERANCE		ANGLE	SCALE	UNIT
DIMENSION	TOL.	DR. T.Aizawa	DATE May.17'02	mm
L ≤ 63	±0.5	CH. I.IGARASHI	DATE May.20'02	
		APP. Y.MATSUNAGA	DATE May.20'02	

NAME	CM-42 INLET SIDE HOLDER
PART NO.	C-048
DRAWING NO.	PCC126CB

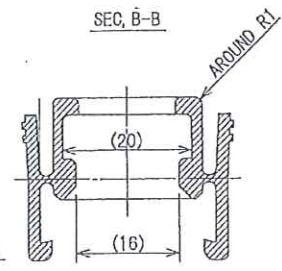
IT	NAME	MATERIAL	REMARK
1		#66 NYLON	
2			
3			
4			



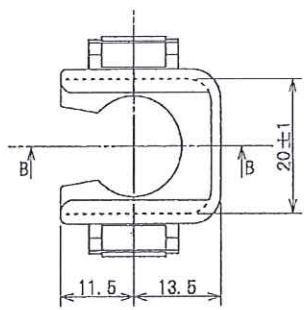
SEC. B-B



CAVITY No.



SEC. A-A



LET	REVISION	DATE	SIGN
△ X			
△ X			
△ X			
△ X			



TOLERANCE		ANGLE	SCALE	UNIT
DIMENSION	TOL.	DR. K. Morishita	DATE Jun. 4 '13	mm
L ± 0.3	± 0.5	CH. S. Nakayama	DATE Jun. 4 '13	
		APP. S. Nakayama	DATE Jun. 4 '13	

NAME	CM-42B CONNECTOR SIDE HOLDER
PART No.	C-049-1
DRAWING No.	PCC350CA

E-060-99

K-9063-02